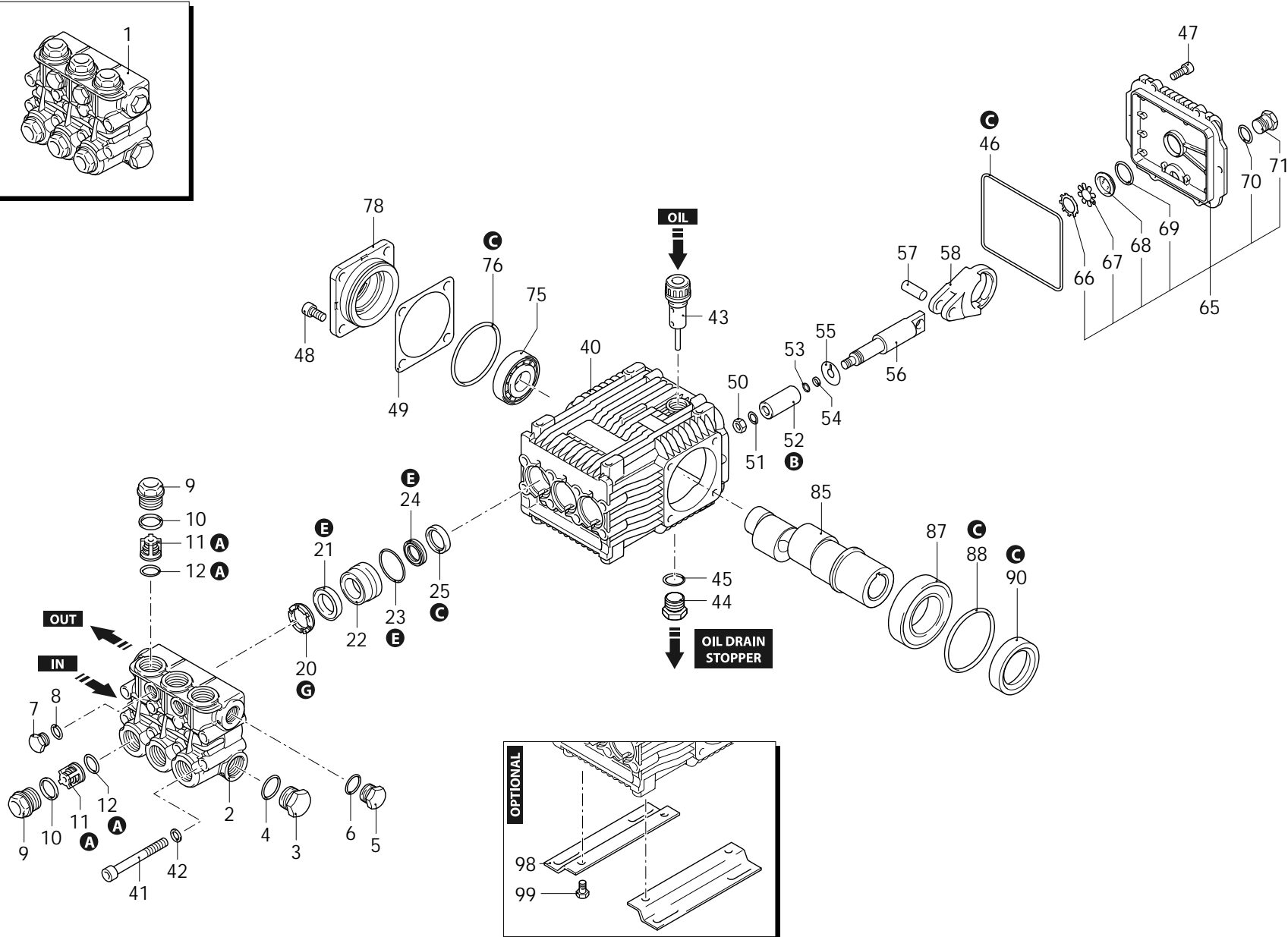
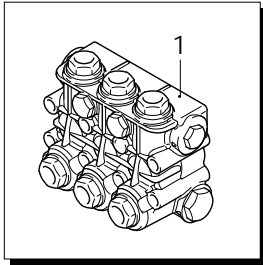




Series 228

# HYD RK

## 1450rpm



AR\_s228-05\_v01

22/04/2025



Series 228

HYD RK

1450rpm

P	Code	Description	Q	Assembly prescription	Validity	P	Code	Description	Q	Assembly prescription	Validity
1	1389216	Head assembly	Ø 22	1		58	1383050	Connecting-rod	aluminium	3	
2	1380020	Head		1		65	1789010	Cover	complete	1	
3	820361	Plug	1/2" G brass	1	C=40Nm	66	1260430	Ring		1	
4	180101	O-ring	Ø 17,5x2	1	Lubricate with grease Molykote PG54	67	1780690	Plate		1	
5	1980740	Plug	3/8" G brass	1	C=20Nm	68	1260250	Level gauge		1	
6	740290	O-ring	Ø 14x1,78	1	Lubricate with grease Molykote PG54	69	1140450	O-ring	Ø 20,24x2,62	1	Lubricate with grease Molykote PG54
7	880581	Plug	1/4" G brass	1	C=15Nm / Loxeal 55-14	70	740290	O-ring	Ø 14x1,78	1	Lubricate with grease Molykote PG54
8	820510	O-ring	Ø 10,82x1,78	1		71	1980740	Plug	3/8" G brass	1	C=20Nm
9	960090	Plug	brass	6	C=54Nm / Loxeal 55-14	75	2280340	Bearing		1	
10	960160	O-ring	Ø 17,86x2,62	6	Lubricate with grease Molykote PG54	76	640030	O-ring	Ø 59,99x2,62	1	
11	1389051	Complete valve		6		78	1380050	Support	open bearing	1	
12	880830	O-ring	Ø 15,54x2,62	6	Lubricate with grease Molykote PG54	85	2281030	Shaft	1 marked	1	
20	840320	Ring	support Ø 22	3		87	1383150	Bearing		1	
21	840330	Water seal	Ø 22	3		88	1380220	O-ring	Ø 72,75x1,78	1	
22	1380160	Piston guide	Ø 22	3		90	621170	Ring	seal	1	Assemble with tool [1781000]
23	961240	O-ring	Ø 31,47x1,78	3		98	1380141	Foot		2	C=20Nm
24	840340	Water seal	Ø 22	3		99	1263130	Screw	TE M8x12	4	C=20Nm
25	880520	Ring	seal	3		A	2864	Valve kit		1	
40	1382770	Pump body		1		B	2759	Piston kit	Ø 22	1	
41	820150	Screw	TCEI M8x70	8	C=25Nm	C	1856	Oil seal kit		1	
42	1381850	Washer		8		E	1888	Water seal kit	Ø 22	1	
43	880130	Oil plug	with oil dipstick	1		E	2811	Water seal kit	Ø 22 Viton	1	
44	1980740	Plug	3/8" G brass	1	C=20Nm	G	1816	Support ring kit	Ø 22	1	
45	740290	O-ring	Ø 14x1,78	1	Lubricate with grease Molykote PG54						
46	1780510	O-ring	Ø 106x3	1							
47	1343510	Screw	TCEI M6x14	6	C=10Nm						
48	850370	Screw	TCEI M8x16	4	C=24,5Nm						
49	1380120	Shim 0.10mm		1							
49	1380130	Shim 0.19mm		1							
49	1380530	Shim 0.25mm		1							
50	962010	Nut	M8	3							
51	962000	Washer		3	C=20Nm / Loxeal 55-14						
52	1382360	Piston	Ø 22	3							
53	600180	O-ring	Ø 7,66x1,78	3							
54	1080401	Ring	anti-extrusion	3							
55	1380950	Plate		3							
56	1380920	Piston	guide	3							
57	1380060	Pin		3							

Revision: 1

Oil type: SAE 15W40

Validity: &lt; XX/YY = From week/year

Date: 22/04/2025

Oil quantity: 0,430 Kg

C= Tightening torque (Tolerance +0 ÷ -10%)

\* = Not present for electric pump

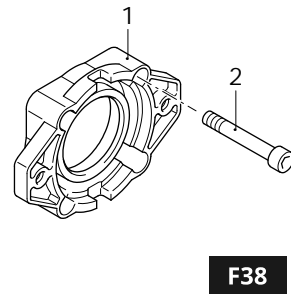


Series 228

# HYD RK

## 1450rpm

P	Code	Description		Q	Assembly prescription	Validity
1	1383550	Flange	F38	1		
2	180030	Screw	TCEI M8x20	4	C=24,5Nm	



AR-1\_flangia-21\_v01

Revision: 1

Oil type: SAE 15W40

Validity: < XX/YY = From week/year

Date: 22/04/2025

Oil quantity: 0,430 Kg

*C= Tightening torque (Tolerance +0 ÷ -10%)*

22087 - HYD RK 21.15 H + F38

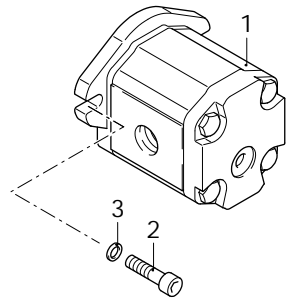


Series 228

# HYD RK

## 1450rpm

P	Code	Description		Q	Assembly prescription	Validity
1	4769	Motor	hydraulic	1		
2	540300	Screw	TCEI M10x30	2	C=50Nm	
3	900270	Washer		2		



AR\_motore-12\_v01

Revision: 1

Oil type: SAE 15W40

Validity: < XX/YY = From week/year

Date: 22/04/2025

Oil quantity: 0,430 Kg

*C= Tightening torque (Tolerance +0 ÷ -10%)*

22087 - HYD RK 21.15 H + F38