



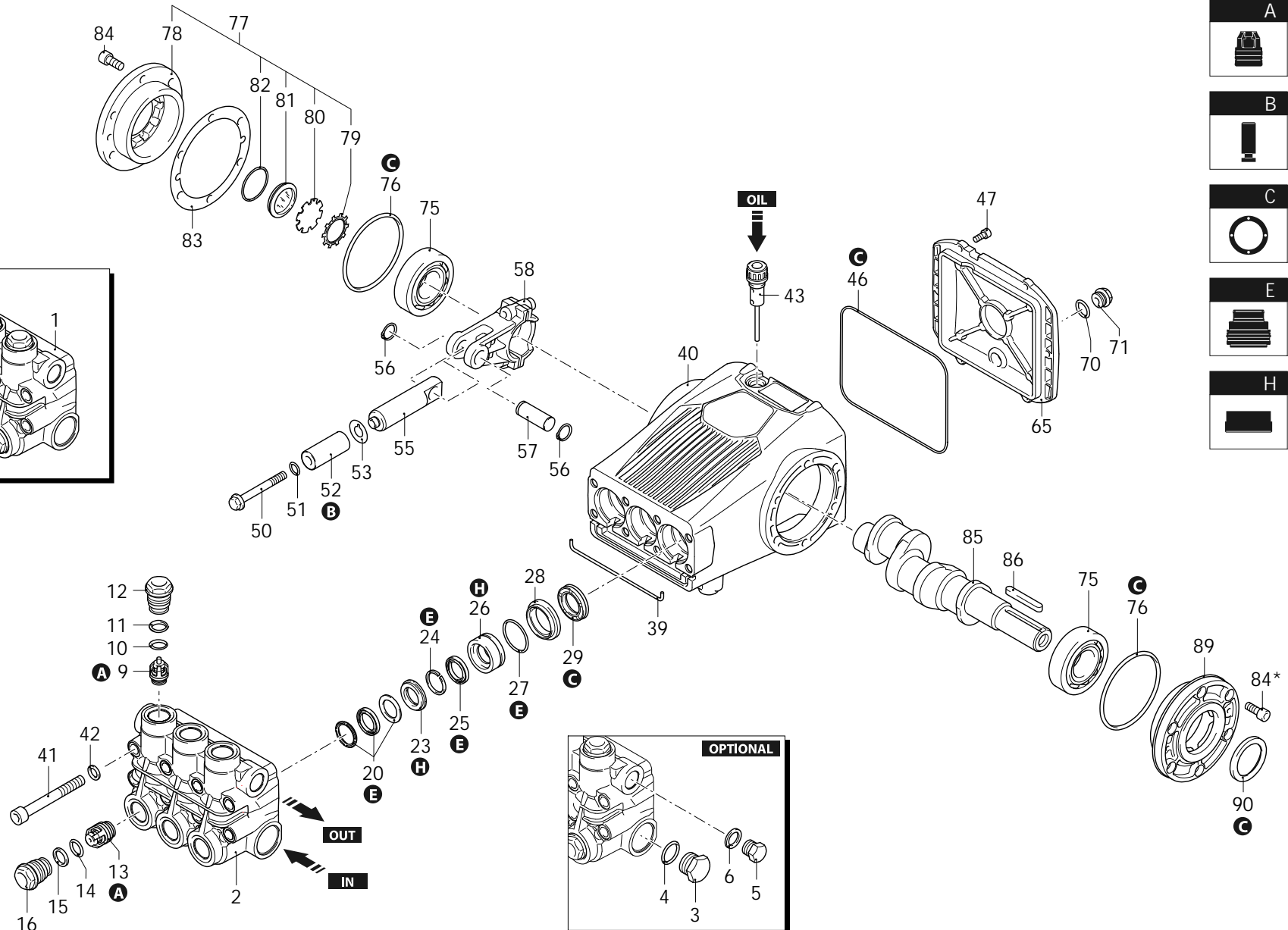
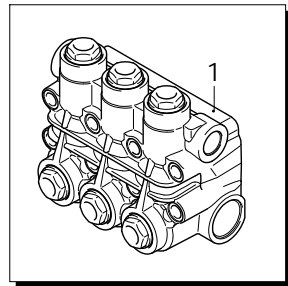
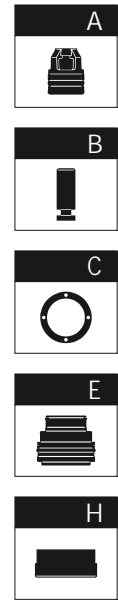
Series 538

RF

N

1450rpm

ø 30mm



AR_s538-01_022

09/10/2025



Series 538

RF

N

1450rpm

Ø 30mm

P	Code	Description	Q	Assembly prescription	Validity	P	Code	Description	Q	Assembly prescription	Validity
1	5389101	Head assembly	Ø 22	1		70	740290	O-ring	Ø 14x1,78	1	Lubricate with grease Molykote PG54
2	5380020	Head		1		71	2282280	Plug	with magnet	1	C=20Nm
3	2822550	Plug	1" G brass	1		75	1500290	Bearing		2	
4	390291	O-ring	Ø 28,25x2,62	1		76	3660740	O-ring	Ø 83x3	2	
5	2820491	Plug	1/2" G	1		77	3669002	Cover		1	
6	1540120	Washer		1		78	3660050	Cover		1	
9	1949060	Complete valve		3		79	1941290	Ring		1	
10	880830	O-ring	Ø 15,54x2,62	3	Lubricate with grease Molykote PG54	80	1941260	Plate		1	
11	1941070	Ring	anti-extrusion	3		81	1941270	Level gauge		1	
12	1944510	Plug		3	C=60Nm	82	100410	O-ring	Ø 34,6x2,62	1	
13	5389050	Complete valve		3		83	3660260	Shim 0.05mm		1	
14	1140450	O-ring	Ø 20,24x2,62	3	Lubricate with grease Molykote PG54	83	3660270	Shim 0.10mm		1	
15	1940150	Ring	anti-extrusion	3		83	3660280	Shim 0.19mm		1	
16	1940140	Plug		3	C=7Nm / Loxeal 55-14	84	180030	Screw	TCEI M8x20	4	C=24,5Nm
20	5380090	Sealing system		3		84*	180030	Screw	TCEI M8x20	4	C=24,5Nm
23	5380100	Piston guide	front Ø 22	3		85	5380180	Shaft	4 marked	1	
24	2283660	Ring		3		86	5380060	Key		1	
25	1940480	Gasket	Ø 22	3	Lubricate with grease Molykote PG54	89	3660040	Cover		1	
26	1944630	Piston guide	rear Ø 22	3		90	3660300	Ring	seal	1	
27	820490	O-ring	Ø 34,65x1,78	3		A	47548	Valve kit		1	
28	5380110	Ring		3		B	47549	Piston kit	Ø 22	1	
29	3660310	Ring	seal	3		C	47550	Oil seal kit		1	
39	5380120	O-ring		3		E	47551	Water seal kit	Ø 22	1	
40	5380010	Pump body		3		H	47552	Piston guide kit	Ø 22	1	
41	850262	Screw	TCEI M10x90	8	C=80Nm						
42	650530	Washer		8							
43	1140370	Oil plug	with oil dipstick	3							
46	5380200	O-ring	Ø 158,42x2,62	1							
47	1200430	Screw	TCEI M6x16	3	C=10Nm / Loxeal 55-14						
50	5380080	Screw		3	C=20Nm / Loxeal 55-14						
51	3660340	O-ring	Ø 12x2	3	Lubricate with grease Molykote PG54						
52	5380070	Piston	Ø 22	3							
53	5380220	Plate		3							
55	5380040	Piston	guide	3							
56	3660330	Ring		6							
57	3660090	Pin		3							
58	3660990	Connecting-rod	bronze	3	C=22Nm / Loxeal 55-14						
65	5380030	Cover	complete	1							

Revision: 1

Oil type: SAE 15W40

Validity: < XX/YY = From week/year

Date: 09/10/2025

Oil quantity: 2,000 Kg

C= Tightening torque (Tolerance +0 ÷ -10%)

* = Not present for electric pump