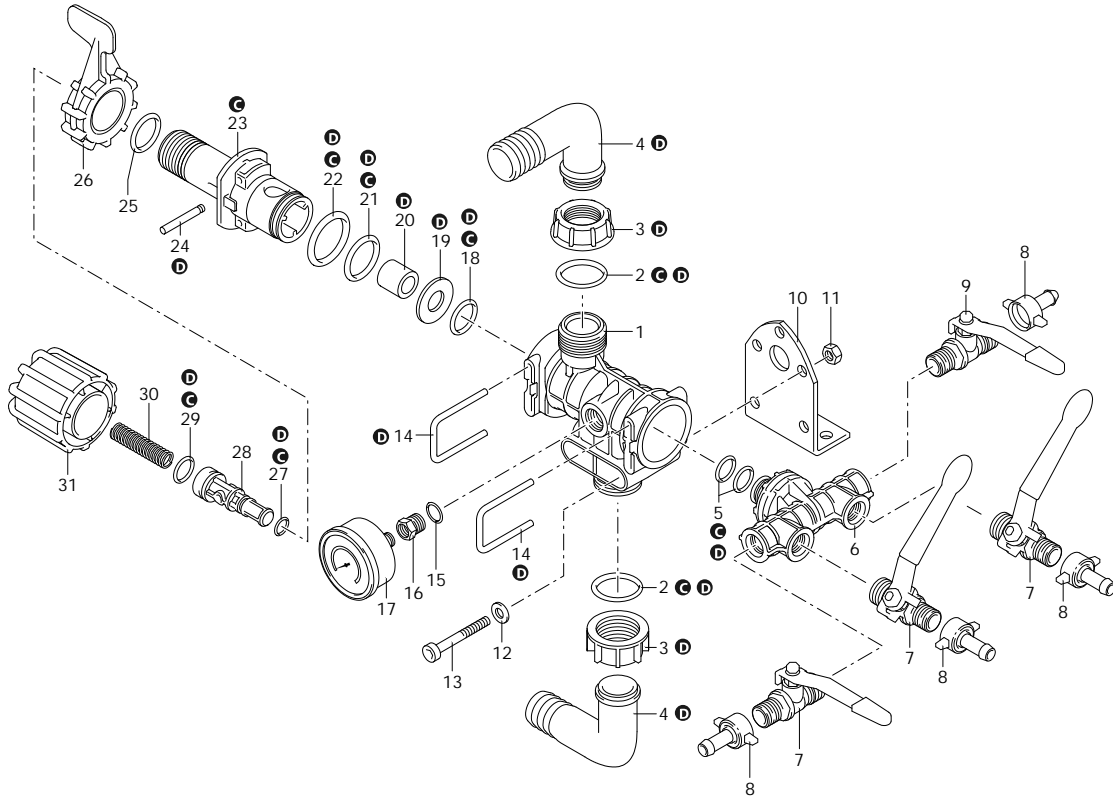




GS 35 S

915 GS 35 S

915



Code	Description	Q	Note	Validity
1	3240430 Body	1		
2	1140450 O-ring	2	Lubricate Molykote PG54	
3	3120440 Ring nut	2	1" G	
4	3120460 Elbow	2	Ø 25	
5	480440 O-ring	2	Ø 17,13x2,62	Lubricate Molykote G-807
6	3240450 Body	1	Regulator	
7	1880492 Valve	3	3/8" G - 1/2" G (M-M)	
8	110131 Hose tail	4	Ø 10	
9	1880491 Valve	1	3/8" G - 1/2" G (M-M)	
10	320406 Bracket	1		
11	390270 Nut	2	M8	C=10Nm
12	380241 Washer	2		
13	280080 Screw	2	TCEI M8x60	C=10Nm
14	3460210 Fork	2		
15	2840890 O-ring	1	Ø 14x2	Lubricate Molykote PG54
16	1880250 Fitting	1		Loxeal 55-14
17	3240470 Pressure gauge	1	Ø63 - 0+24bar	Loctite 2701
18	720030 O-ring	1	Ø 22,22x2,62	Lubricate Molykote G-807
19	3240421 Spacer	1		
20	3240391 Piston	1		
21	1520650 O-ring	1	Ø 29,82x2,62	Lubricate with motor oil
22	660170 O-ring	1	Ø 31,42x2,62	Lubricate Molykote G-807
23	3240360 Body	1	Regulator	
24	1880240 Pin	1		Lubricate Molykote PG54
25	961240 O-ring	1	Ø 31,47x1,78	
26	1880210 Ring nut	1		Lubricate Molykote PG54
27	391000 O-ring	1	Ø 9,13x2,62	Lubricate Molykote PG54
28	3240380 Piston	1	upper	
29	480440 O-ring	1	Ø 17,13x2,62	Lubricate Molykote G-807
30	3240410 Spring	1		
31	3240440 Knob	1		
C	42833 O-ring kit	1		
D	42834 Maintenance repair kit	1		
915	915 Control units	1		

GC_01-015

Customer: AR
Customer Code:



Revision: 1

Date: 06/02/2026

Validity: < XX/YY = From week/year