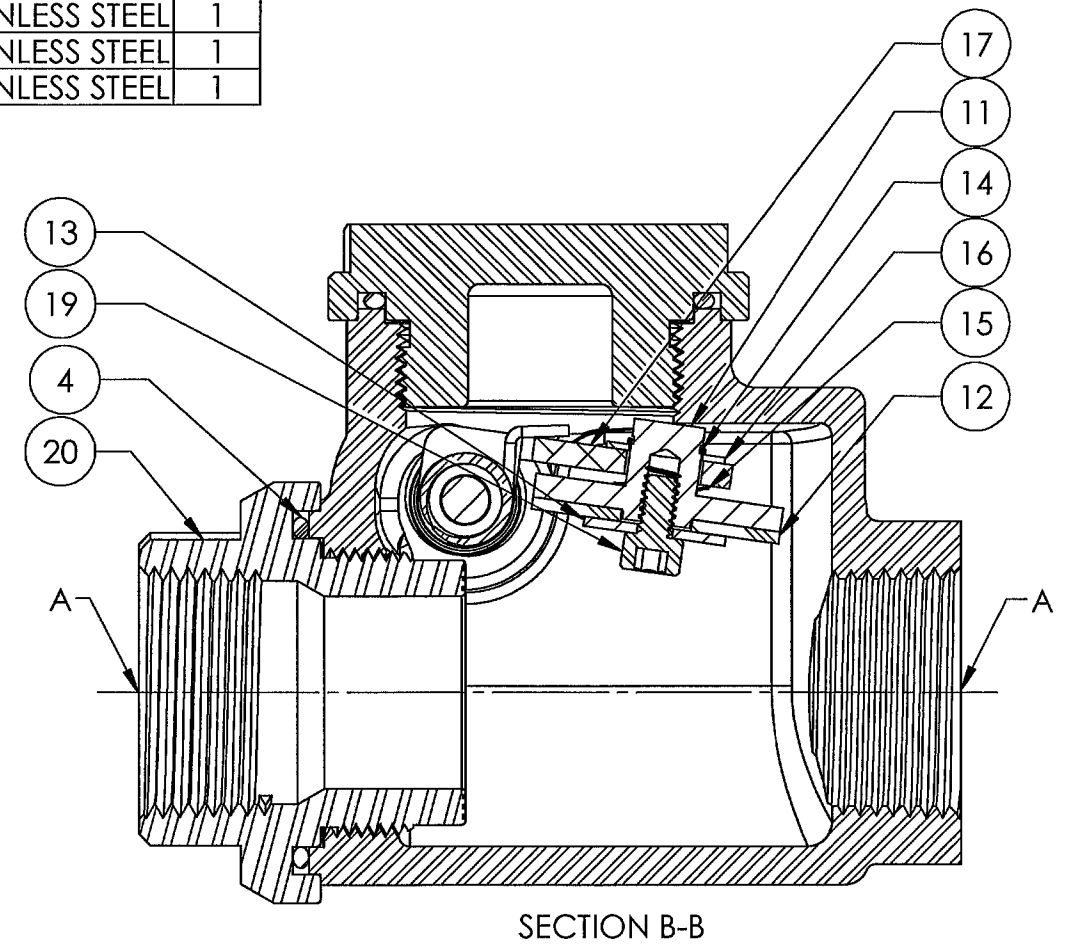
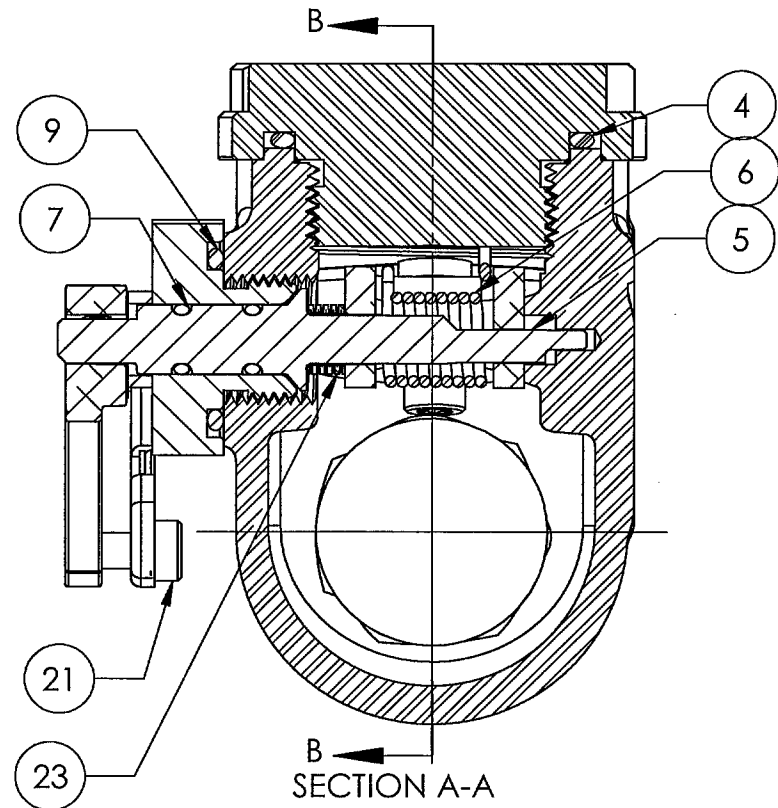
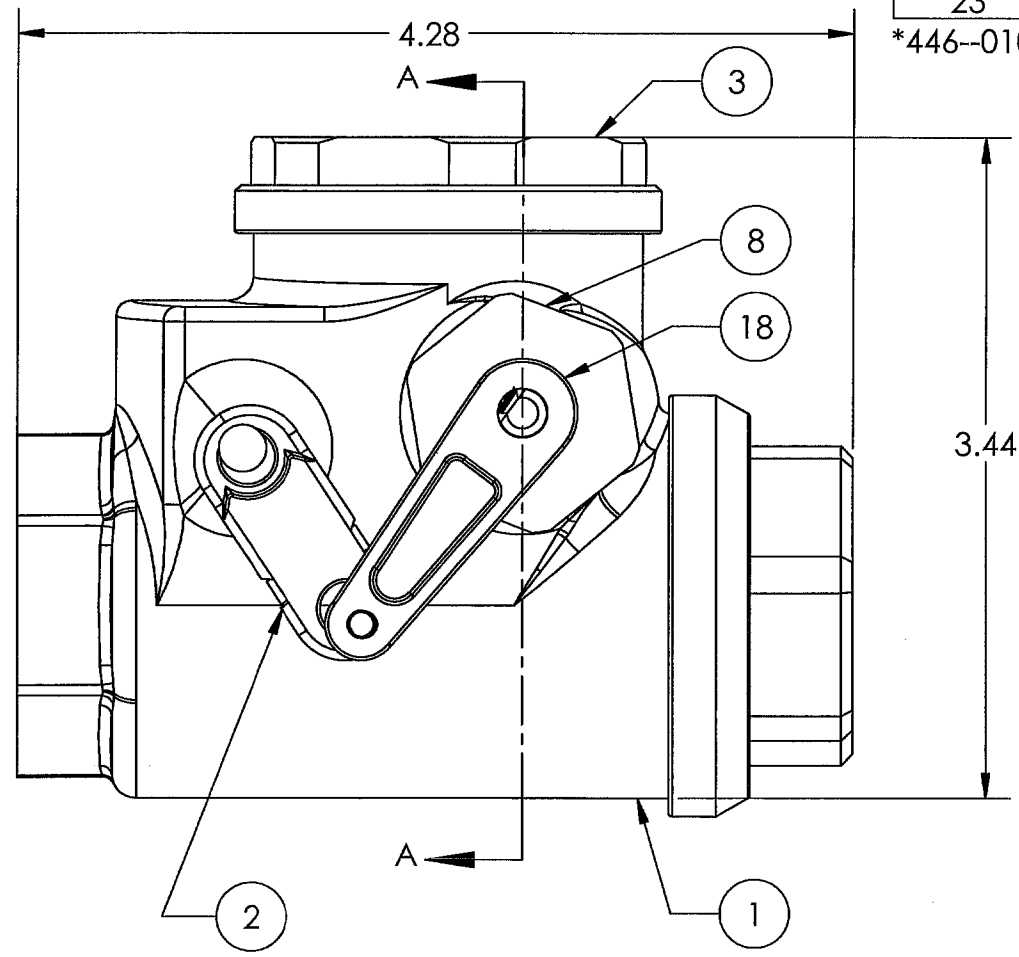


ITEM NO.	PART NUMBER	DESCRIPTION	MATERIAL	QTY.
1	SEE ASSEMBLIES CHART	BODY	STAINLESS STEEL	1
2	346DI-0508 2L	FUSE LINK		1
3	446--0103 21P	CAP	STAINLESS STEEL	1
4	446--0104 2R	O-RING-BODY	ELASTOMER	2
5	446--0105 21	SHAFT	STAINLESS STEEL	1
6	446--0106 2S	TORSION SPRING	STAINLESS STEEL	1
7	446--0107 2R	O-RING-SHAFT	ELASTOMER	2
8	446--0108 21	NUT	STAINLESS STEEL	1
9	446--0109 2R	O-RING-NUT	ELASTOMER	1
10	446--0110 MB	STOP BUSHING	STAINLESS STEEL	1
11	446--0111 21	POPPET	STAINLESS STEEL	1
12	446--0112 2D	DISC	STAINLESS STEEL	1
13	446--0113 2W	WASHER-DISC	STAINLESS STEEL	1
14	446--0114 2R	RETAINING RING	STAINLESS STEEL	1
15	446--0115 2S	WAVE SPRING-DISC	STAINLESS STEEL	1
16	446--0116 2W	WASHER-POPPET	STAINLESS STEEL	1
17	446--0117 3S	LEVER	STAINLESS STEEL	1
18	446--0118 MH	HANDLE	ALUMINUM	1
19	636DEF0107 2S	PLUNGER SCREW	STAINLESS STEEL	1
20	SEE ASSEMBLIES CHART	TAIL PIECE	STAINLESS STEEL	1
21	446--0122 2S	SHOULDER SCEW	STAINLESS STEEL	1
22	636--0128 2S	HANDLE SET SCREW	STAINLESS STEEL	1
23	446--0124 2S	WAVE SPRING-SHAFT	STAINLESS STEEL	1

REV.	DESCRIPTION	BY	EO
A	RELEASED TO PRODUCTION	JKB	13-84
B	ITEM NO. 23 WAS 446--0123 2S	JKB	13-84
C	REDRAWN TO FINAL PROTOTYPE DESIGN	JKB	13-84
D	ADDED 1/2" NPT VERISON	JKB	15-95

*446-0100 AV SHOWN



(D)

ASSEMBLIES	A	BODY	TAILPIECE
446--0050 AV	1/2" NPT	446--0050 MBP	446--0132 21P
446--0075 AV	3/4" NPT	446--0075 MBP	446--0119 21P
446--0100 AV	1" NPT	446--0101 MBP	446--0120 21P

STANDARD TOLERANCES
 UNLESS OTHERWISE SPECIFIED
 1 PL DECIMAL ±.100
 2 PL DECIMAL ±.015
 3 PL DECIMAL ±.005
 ANGULAR ± 2.0°
 SURFACE FINISH 125µinch RMS MAX
 TOOL NOSE RADIUS .035 MAX
 BREAK AND DEBURR ALL SHARP EDGES
 DIMENSIONS ARE IN INCHES

TITLE:
EMERGENCY SHUT-OFF VALVE FIG. NO. 446

THIRD ANGLE

SCALE
1:1

MATERIAL:
SEE PARTS LISTING

Drawn: JKB Date: 4/16/2015
 Checked: [Signature] Date: 1-13-16

DO NOT SCALE DRAWING

Morrison Bros. Co.
 Dubuque, IA

PART I.D. NO.
SEE ASSEMBLIES CHART

DWG. NO. B-7754-0

CONFIDENTIAL: THE INFORMATION CONTAINED IN THIS DRAWING IS THE SOLE PROPERTY OF MORRISON BROS. CO. TO BE USED ONLY FOR PURPOSE EXPLICITLY DIRECTED BY MORRISON BROS. CO. ANY REPRODUCTION IN PART OR AS A WHOLE WITHOUT THE WRITTEN PERMISSION OF MORRISON BROS. CO. IS PROHIBITED.