



KDP
DIAPHRAGM PUMPS

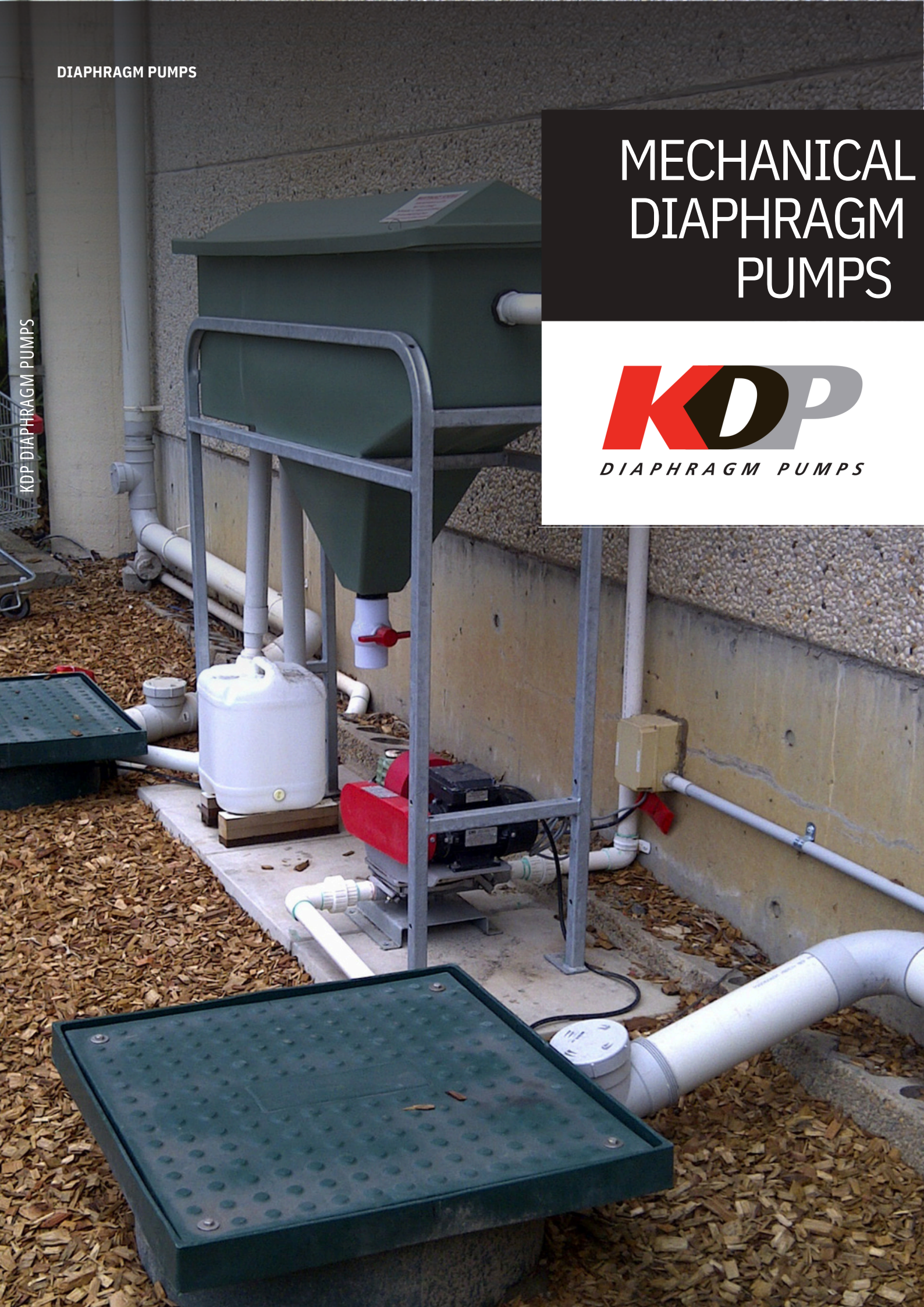
CMG SINGLE PHASE
AUSTRALIA INDUCTION MOTOR
CE
1.5 kW
230V
50 Hz
3.0 A
1.5 L/min
1.5 bar

DIAPHRAGM PUMPS

KDP DIAPHRAGM PUMPS

MECHANICAL DIAPHRAGM PUMPS

KDP
DIAPHRAGM PUMPS



The KDP is a mechanical diaphragm pump that uses a heavy duty gear box coupled to an eccentric block to actuate the diaphragm. It is belt driven by pulleys which enables it to use a variety of drive options.

With its heavy duty construction, ability to run dry and self-prime, the KDP pump is suitable for a wide range of applications including dewatering, transfer, oil skimming & oil/water separation.

Applications: - Dewatering excavation

- Raw sewage
- Pool maintenance and construction
- Waste treatment plants
- Oil skimming
- Bore desludging
- Oil/Water separators
- Machine sumps
- Priming large centrifugal pumps
- Industrial wastes
- Liquid manure
- Septic tank cleaning
- Drum emptying
- Abattoirs
- Poultry processing and Spillage mop up.

Features:

- Suction lifts to 7.5m
- Rapid self priming
- Will run dry without damage
- Heavy duty
- Will operate on snor
- Will handle abrasive liquids
- Will pass solids up to 80% port size
- Compact construction
- TEFC electric motors fitted as standard
- Special electric motor enclosures as an options





MATERIALS OF CONSTRUCTION

COMPONENT	STANDARD	OPTIONAL
Wetted (Casing and Ports)	Aluminium Buna-N	Cast Iron / 316 Stainless Steel
Diaphragm	(NITRILE) Buna-N	Neoprene / Viton
Flap Valve / Gasket	(NITRILE) 316	Polytherene
Valve Seat	Stainless Steel	



CARRY FRAME

All sizes can be fitted with a carry frame

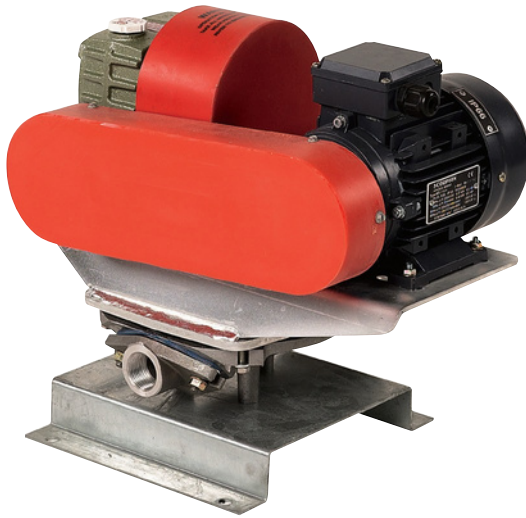


KDP50 and KDP76 can be supplied with a petrol engine which enables increased portability in applications such as:

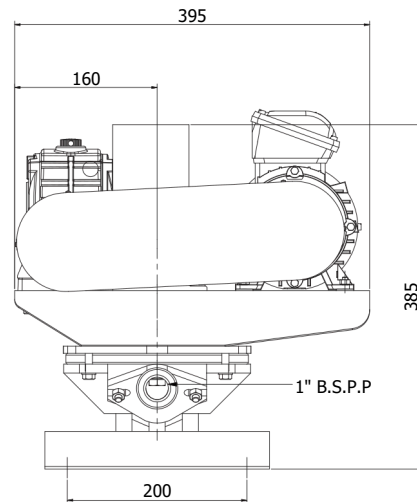
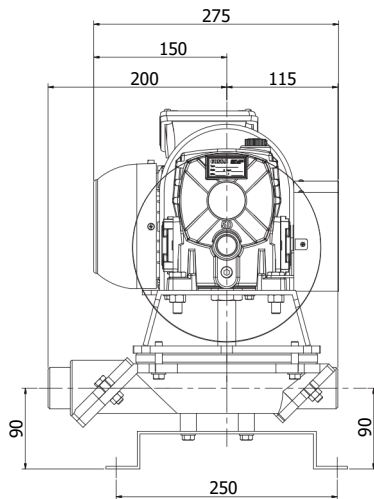
PETROL/DIESEL
Site Dewatering
Excavation Dewatering
Pool Maintenance / Construction
Construction Sites

All pump sizes are available with the following electric motor options:

ELECTRIC
240V (Single Phase)
415V (Three Phase)
415V (Three Phase), Ex'e'
415V (Three Phase), Ex'd'



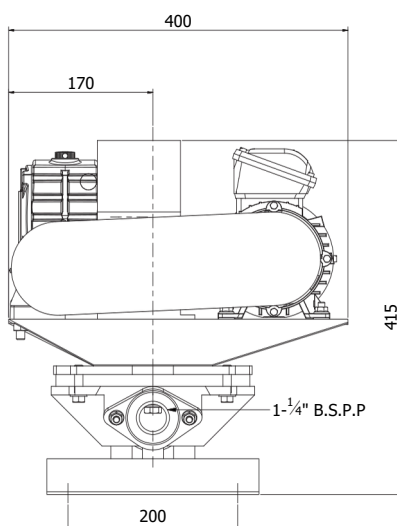
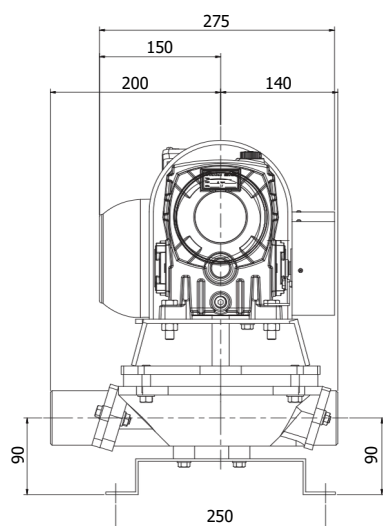
KDP 25	
Model No.	KDP25
Connections	25mm(1")
Nominal flow rate	16-25 l/min
Suction lift	7.5m 6.0m
Discharge head	15mm
Solid size	0.37kW
Motor size	25kg
Weight	



PART NO.	MODEL NO.	DESCRIPTION	TYPE	AMPS	KW
660000	KDB25-100	KD Pump with no motor (Bare)	Bare	N/A	N/A
660006	KDB25-150	KD Pump with no motor (Bare)	Bare	N/A	N/A
660060	KDS25-100	KD Pump with 240 Volt Motor	240 Volt	2.8	0.37kW
660066	KDS25-150	KD Pump with 240 Volt Motor	240 Volt	2.8	0.37kW
660096	KDT25-100	KD Pump with 415 Volt Motor	415 Volt	1.2	0.37kW
660102	KDT25-150	KD Pump with 415 Volt Motor	415 Volt	1.2	0.37kW
660114	KDTE25-100	KD Pump with 415 Volt Ex(e) Motor	415 Volt Ex E	1.2	0.37kW
660138	KDTE25-150	KD Pump with 415 Volt Ex(e) Motor	415 Volt Ex E	1.2	0.37kW
660144	KDTD25-100	KD Pump with 415 Volt Ex(d) Motor	415 Volt Ex D	1.2	0.37kW
660174	KDTD25-150	KD Pump with 415 Volt Ex(d) Motor	415 Volt Ex D	1.2	0.37kW



KDP 32	
Model No.	KDP32
Connections	32mm(1 1/4")
Nominal flow rate	33 l/min 7.5m
Suction lift	6.0m 20mm
Discharge head	0.37 kW 30kg
Solid size	
Motor size	
Weight	

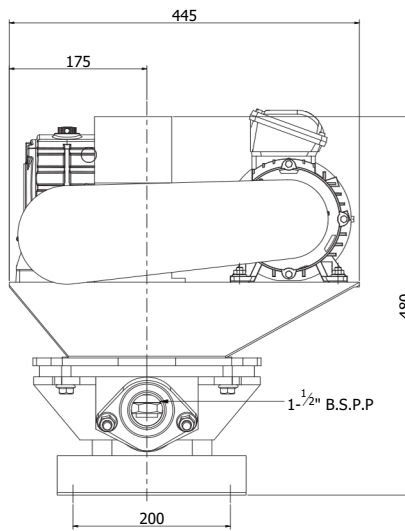
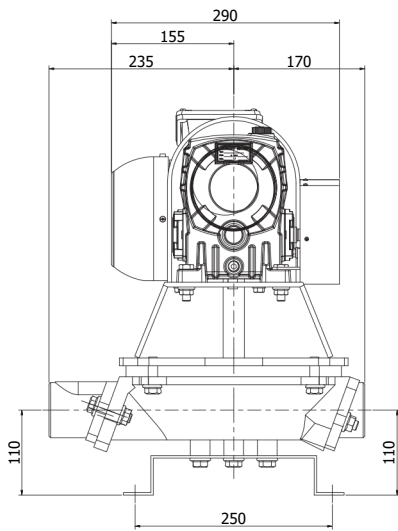


PART NO.	MODEL NO.	DESCRIPTION	TYPE	AMPS	KW
660012	KDB32-200	KD Pump with no motor (Bare)	Bare	N/A	N/A
660072	KDS32-200	KD Pump with 240 Volt Motor	240 Volt	2.8	0.37kW
660108	KDT32-200	KD Pump with 415 Volt Motor	415 Volt	1.2	0.37kW
660150	KDTE32-200	KD Pump with 415 Volt Ex(e) Motor	415 Volt Ex E	1.2	0.37kW
660180	KDTD32-200	KD Pump with 415 Volt Ex(d) Motor	415 Volt Ex D	1.2	0.37kW



KDP 38

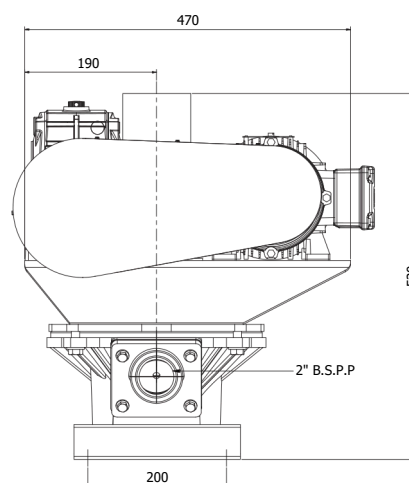
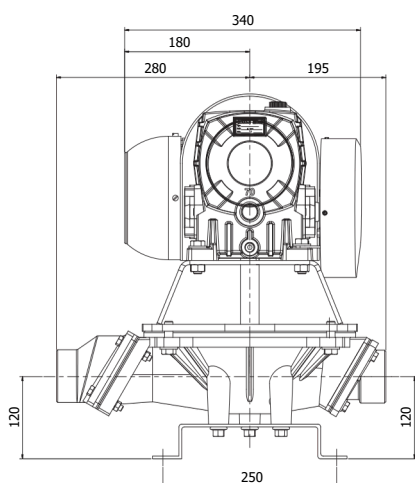
Model No.	KDP38
Connections	38mm(1 1/2")
Nominal flow rate	50 l/min 7.5m
Suction lift	6.0m 25mm
Discharge head	0.75 kW 42kg
Solid size	
Motor size	
Weight	



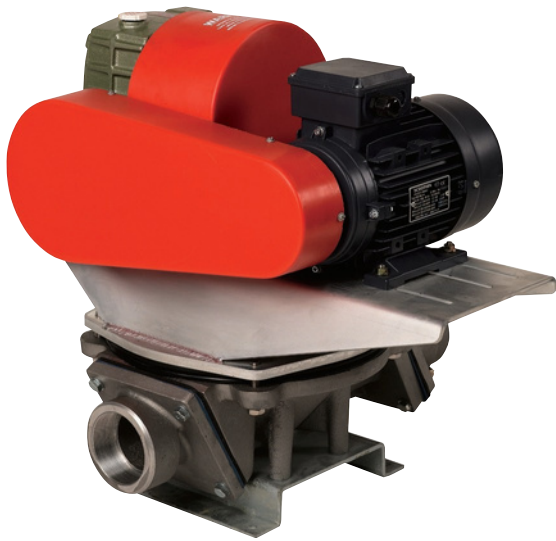
PART NO.	MODEL NO.	DESCRIPTION	TYPE	AMPS	KW
660018	KDB38-300	KD Pump with no motor (Bare)	Bare	N/A	N/A
660078	KDS38-300	KD Pump with 240 Volt Motor	240 Volt	4.75	0.75kW
660120	KDT38-300	KD Pump with 415 Volt Motor	415 Volt	1.77	0.75kW
660156	KDTE38-300	KD Pump with 415 Volt Ex(e) Motor	415 Volt Ex E	1.77	0.75kW
660186	KDTD38-300	KD Pump with 415 Volt Ex(d) Motor	415 Volt Ex D	1.77	0.75kW



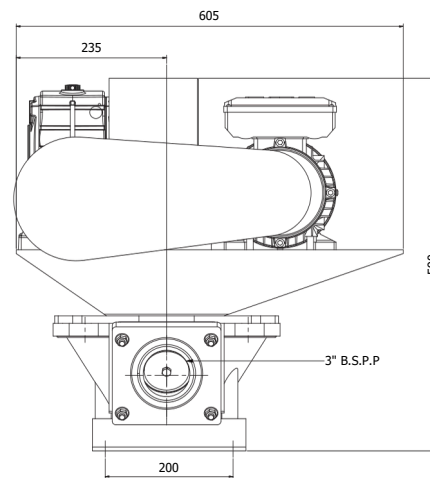
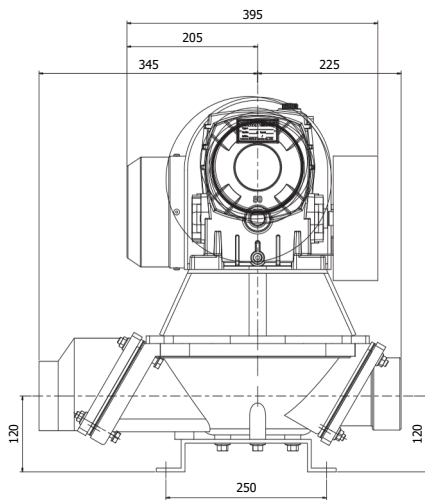
KDP 50	
Model No.	KDP50
Connections	50mm(2")
Nominal flow rate	100 l/min
Suction lift	7.5m
Discharge head	6.0m
Solid size	35mm 1.1
Motor size	kW 55kg
Weight	



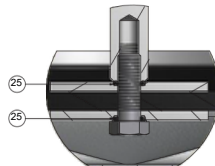
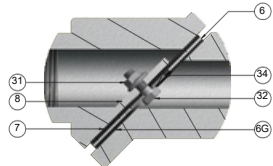
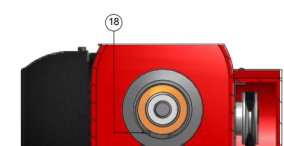
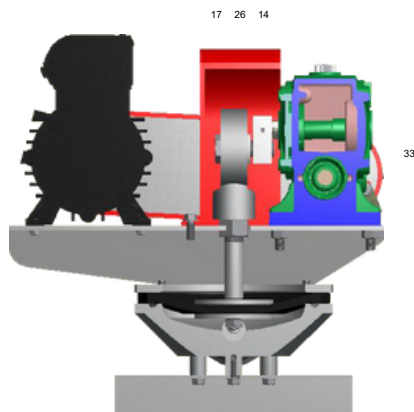
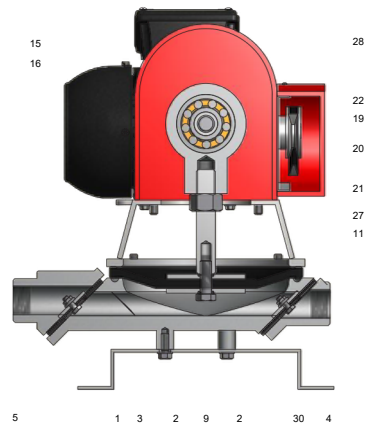
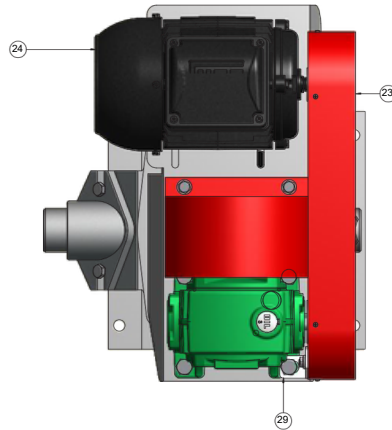
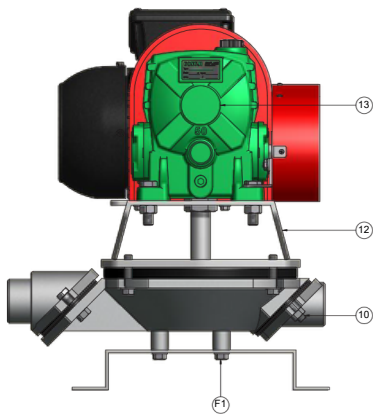
PART NO.	MODEL NO.	DESCRIPTION	TYPE	AMPS	KW
660024	KDB50-600	KD Pump with no motor (Bare)	Bare	N/A	N/A
660036	KDD50-600	KD Pump with Diesel Engine	Diesel	N/A	N/A
660048	KDE50-600	KD Pump with Petrol Engine	Petrol	N/A	4hp
660084	KDS50-600	KD Pump with 240 Volt Motor	240 Volt	6.61	1.1kW
660126	KDT506-600	KD Pump with 415 Volt Motor	415 Volt	2.6	1.1kW
660162	KDTE50-600	KD Pump with 415 Volt Ex(e) Motor	415 Volt Ex E	2.6	1.1kW
660192	KDTD50-600	KD Pump with 415 Volt Ex(d) Motor	415 Volt Ex D	2.6	1.1kW



KDP76	
Model No.	KDP76
Connections	76mm(3")
Nominal flow rate	210 l/min
Suction lift	7.5m
Discharge head	6.0m
Solid size	50mm 1.5
Motor size	kW 72kg
Weight	



PART NO.	MODEL NO.	DESCRIPTION	TYPE	AMPS	KW
660030	KDB76-120	KD Pump with no motor (Bare)	Bare	N/A	N/A
660042	KDD76-120	KD Pump with Diesel Engine	Diesel	N/A	N/A
660054	KDE76-120	KD Pump with Petrol Engine	Petrol	N/A	4hp
660090	KDS76-120	KD Pump with 240 Volt Motor	240 Volt	8.77	1.5kW
660132	KDT76-120	KD Pump with 415 Volt Motor	415 Volt	3.4	1.5kW
660168	KDTE76-120	KD Pump with 415 Volt Ex(e) Motor	415 Volt Ex E	3.4	1.5kW
660198	KDTE76-120	KD Pump with 415 Volt Ex(d) Motor	415 Volt Ex D	3.4	1.5kW



- 1 Aluminium Bowl
- 2 Diaphragm plate
- 3 Nitrile diaphragm
- 4 Aluminium suction port
- 5 Aluminium discharge port
- 6 Stainless steel valve seat
- 7 Nitrile valve seat gasket
- 8 Nitrile flap valve
- 9 Diaphragm plate bolt
- 11 Connecting rod
- 12 Drive support housing
- 13 Worm gear speed reducer - Ratio 30:1
- 14 Eccentric block
- 16 Eccentric bearing housing
- 17 Bearing - 6305
- 18 Eccentric bolt & washer
- 19 Gearbox pulley
- 20 Motor pulley
- 21 V-Belt
- 22 Pulley guard backplate - SS 304
- 23 Pulley guard - Plastic
- 24 Electric motor
- 25 Nitrile O-Ring
- 26 Eccentric bolt spacer
- 27 Connecting rod nut
- 28 Eccentric guard - Plastic
- 30 Pulley guard backplate support bracket
- 31 Baseplate - Mild steel - Galvanised
- 32 Flanged hex nut
- 33 Hex head bolt
- 34 Grub screw
- Washer



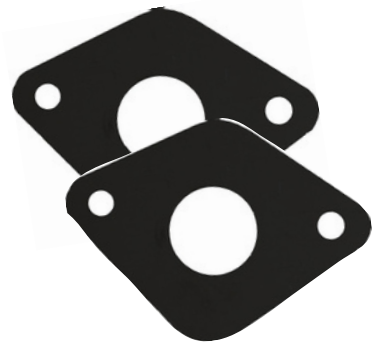
1 x Vee Belt



1 x Diaphragm



2 x Flap Valve Assemblies



2 x Flap Valve Gaskets



**2 x Diaphragm plate
O-rings or gaskets**

PART NO.	DESCRIPTION
680090	KWIKFLO KDP-25 SERVICE KIT
680176	KWIKFLO KDP-32 SERVICE KIT
680250	KWIKFLO KDP-38 SERVICE KIT
680332	KWIKFLO KDP-50 SERVICE KIT
680412	KWIKFLO KDP-76 SERVICE KIT

CELEBRATING

50

YEARS OF EXPERIENCE

**EXPERIENCE INNOVATIVE
THINKERS AND PRODUCTS**

