

2-MD SERIES - 1/30 HP

APPLICATIONS

The Little Giant MD series features leakproof, seal-less magnetic drives and are designed for in-line, non-submersible use. Volute and magnet housing are glass-filled polypropylene for excellent chemical resistance. Impeller is glass-filled polypropylene and ceramagnet "A" (barium ferrite). Shaft and thrust washers are titanium for excellent wear and trouble-free service. Pumping heads are easily rotated, cleaned or serviced with no special tools required. Spindle shaft is supported at both ends to prevent impeller damage during start-up and stop of pump.

FEATURES

- Thermally protected, open, fan-cooled motor
- Sleeve bearings
- 6-foot power cord with 3-prong plug (no plug on 230V)
- Specific gravity to 1.1
- Fluid temperature to 150 °F
- Ambient air temperature to 77 °F

NOTE: Consult your local distributor or the factory for applications with higher ambient temperatures, specific gravities and viscosities.

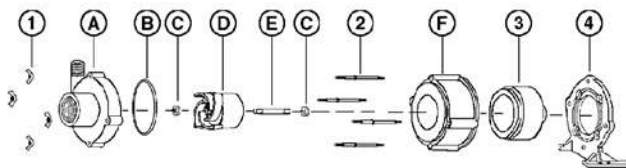


2-MD



SERIES SPECIFICATIONS

Item No.	Model	Discharge	Intake	Listing(s)	HP	Volts	Hz	Amps	Watts	Gallons per minute (Liter per minute) @ Height				Shut-Off	PSI	Cord	Weight lbs (Kg)
										1'	3'	6'	9'				
580002	2-MD	1/2" MNPT	1/2" FNPT	UR/C-CSA	1/30	115	60	1.5	100	8.5 (32.2)	7.8 (29.5)	6.8 (25.7)	5.5 (20.8)	14.6' (4.45 m)	6.3	6' (1.8 m)	6.25 (2.83 Kg)
580098	2-MD	1/2" MNPT	1/2" FNPT	Pump Head Less Motor										1.67 (0.76 Kg)			



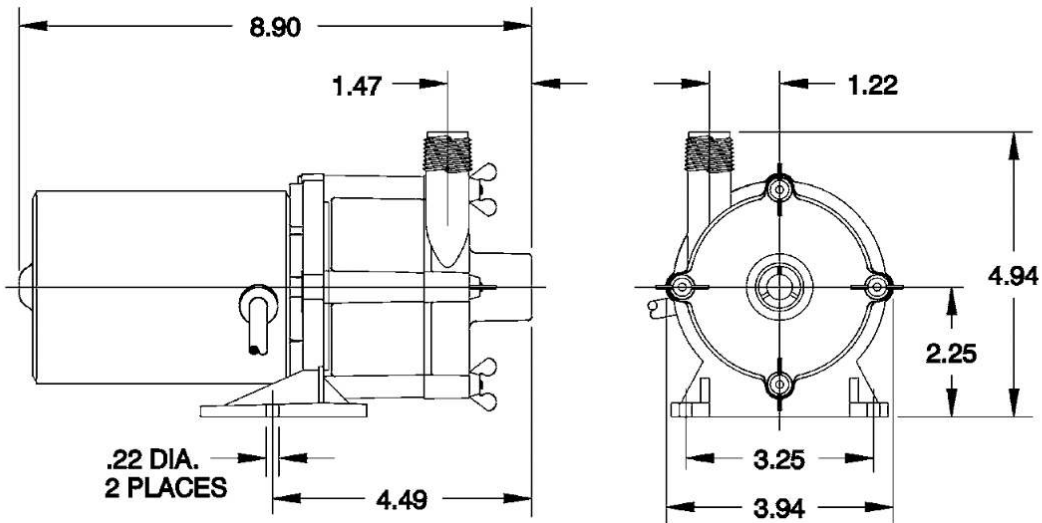
REPLACEMENT PARTS

Item	Part No.	Description
A	180079	Volute
B	924007	O-ring
C	921067	Thrust washer
D	181165	Impeller
E	180058	Shaft
F	180004	Housing
1	920003	Wing nut
2	911403	Stud, collared
3	180602	Drive magnet
4	180031	Mounting bracket

NOTE: Parts A-F contact fluid

2-MD SERIES - 1/30 HP

ENGINEERING DATA



NOTE: Designs and dimensions may vary for various reasons (i.e. type of motor). This information should be used as general guide rather than an unqualified guarantee. Specifications are subject to change without prior notice.

PERFORMANCE DATA

