

NK-2 SERIES - 1/150 HP

APPLICATIONS

The NK-2 Series is a multi-purpose pump that is permanently lubricated for reliability and low maintenance. This pump works relentlessly, making it the perfect solution for hydroponics, aquariums, swimming pools, water displays, ice makers, air conditioners, boat bailing, and fuel oil transfer applications. It's also the perfect workhorse for recirculating water for welding and pipe threading machines or pumping mild chemicals such as soap solutions, acids, plating solutions, and fertilizers.

FEATURES

- Corrosion resistant nylon body
- Oil-filled motor
- 12.3-foot maximum lift
- Screened inlet
- 1/4-inch MNPT discharge
- Thermal overload protection
- For submersible use only



NK-2

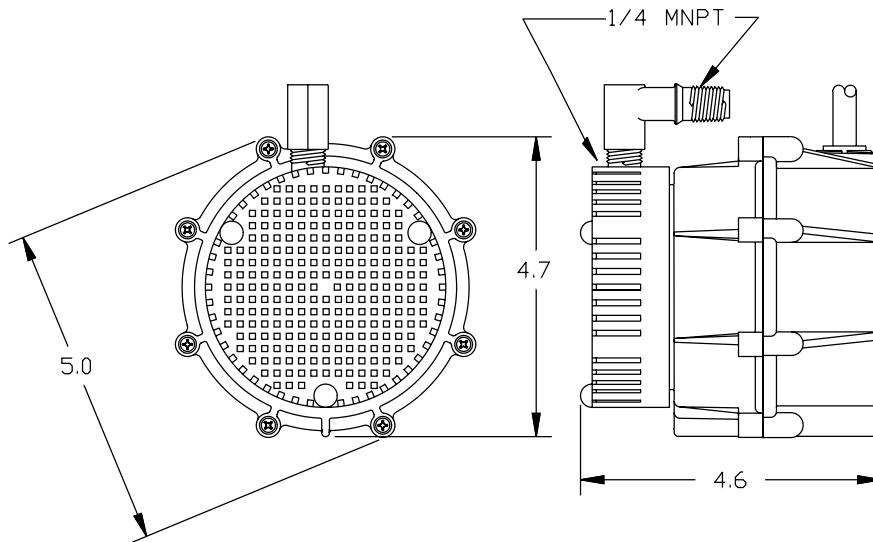
SERIES SPECIFICATIONS

Item No.	Model	Discharge	HP	Volts	Hz	Amps	Watts	Gallons per hour (Liter per hour) @ Height				Shut-Off	PSI	Cord	Weight lbs (Kg)
								1'	3'	5'	10'				
527003	NK	1/4" MNPT	1/40	115	60	1.7	100	325 (1230)	300 (1136)	270 (1022)	130 (492)	12.3' (3.7 m)	5.3	6' (1.8 m)	4.50 (2.04 Kg)
527016	NK	1/4" MNPT	1/40	230	50/60	.9/.7	100	325 (1230)	300 (1136)	270 (1022)	130 (492)	12.3' (3.7 m)	5.3	12' (3.7 m)	4.83 (2.19 Kg)
527176	NK-2	1/4" MNPT	1/40	115	60	1.7	100	325 (1230)	300 (1136)	270 (1022)	130 (492)	12.3' (3.7 m)	5.3	18' (5.5 m)	5.17 (2.35 Kg)

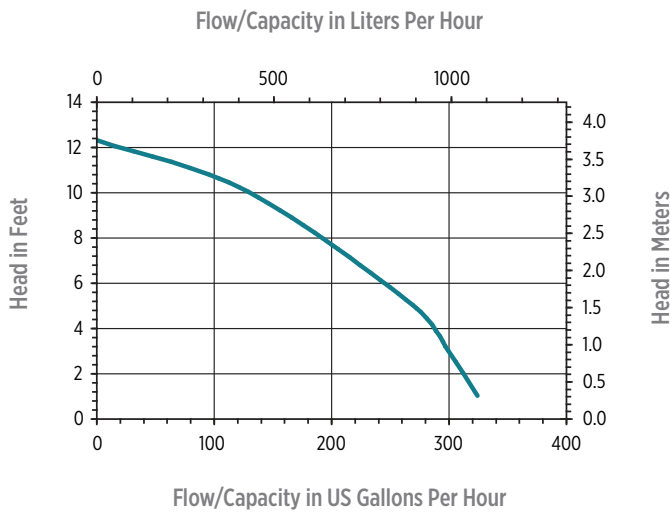
SMALL SUBMERSIBLE PUMPS

NK-2 SERIES - 1/150 HP

ENGINEERING DATA



PERFORMANCE DATA



REPLACEMENT PARTS

Volute	116375
Impeller	116437
Screen	101376
Seal Ring	928007
Backplate	126377
Elbow	943076

