

## PE-2YSA SERIES

### APPLICATIONS

Suitable for submerged use in parts washers using aqueous solutions or UL-listed solvents. This parts washer pump is intended to pump unheated metal parts cleaning solvents, classified as PJQU in the “Gas and Oil Equipment Directory”, and aqueous cleaning solutions. Water-based solutions should not exceed 140 °F/60 °C or 12 pH.

### FEATURES

- Fluoroelastomer (FKM) shaft seal
- 1/4-inch MNPT discharge
- Conduit fitting for mounting
- 1/2-inch MNPT master builders conduit fitting
- Rated for continuous duty
- 6-foot power cord, no plug
- For submersible use only



PE-2YSA

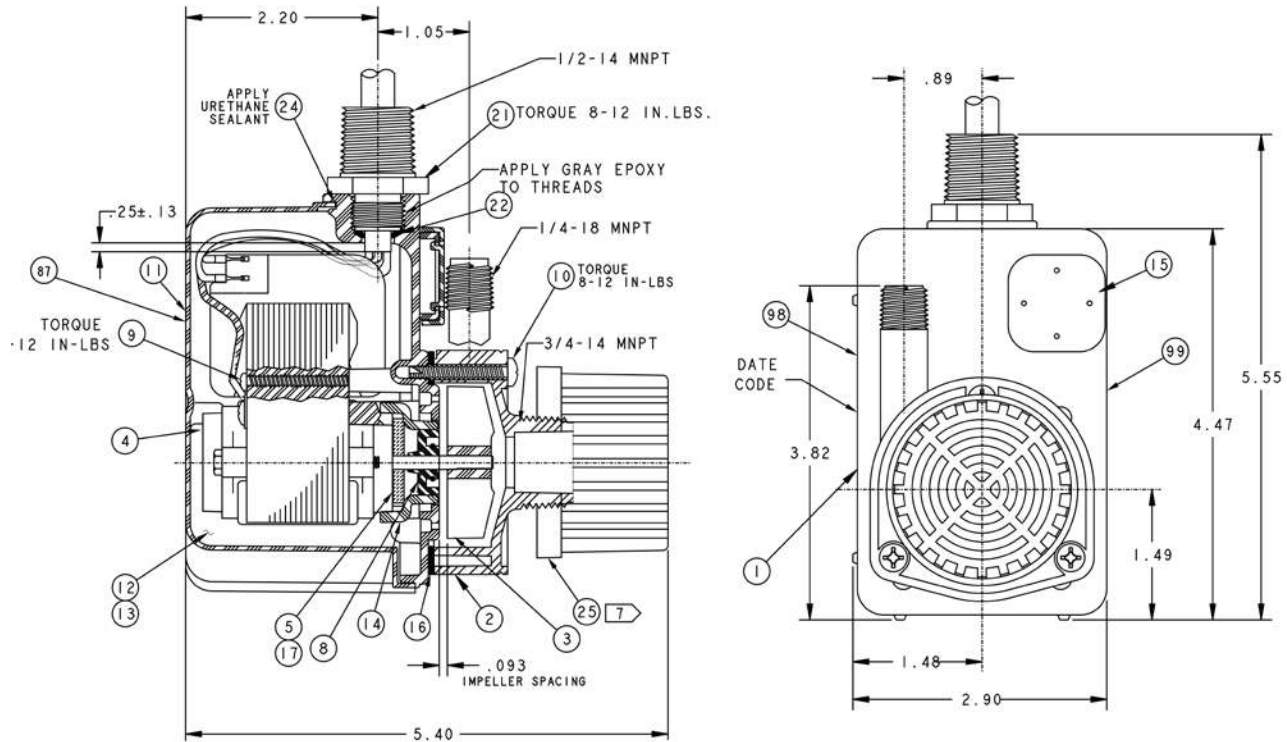


### SERIES SPECIFICATIONS

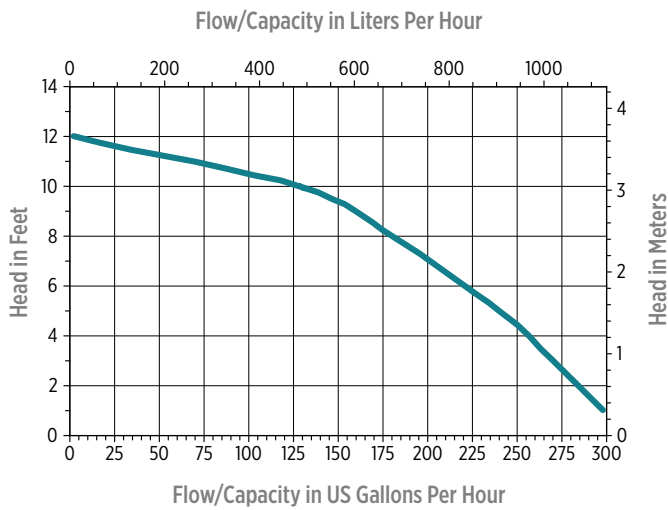
Item No.	Model	HP	Volts	Hz	Amps	Watts	Gallons per hour (Liter per hour) @ Height					Shut-Off	PSI	Cord	Weight lbs (Kg)
							1'	3'	5'	8'	10'				
518550	PE-2YSA	1/40	115	60	.8	47	300 (1136)	270 (1022)	240 (908)	180 (681)	130 (492)	12.2' (3.72 m)	5.3	6' (1.8 m)	4.66 (2.11 Kg)

## PE-ZYSA SERIES

### ENGINEERING DATA



### PERFORMANCE DATA



### REPLACEMENT PARTS

<b>Volute</b>	102333
<b>Impeller</b>	102470
<b>Screen</b>	102901
<b>Gasket</b>	102601

