

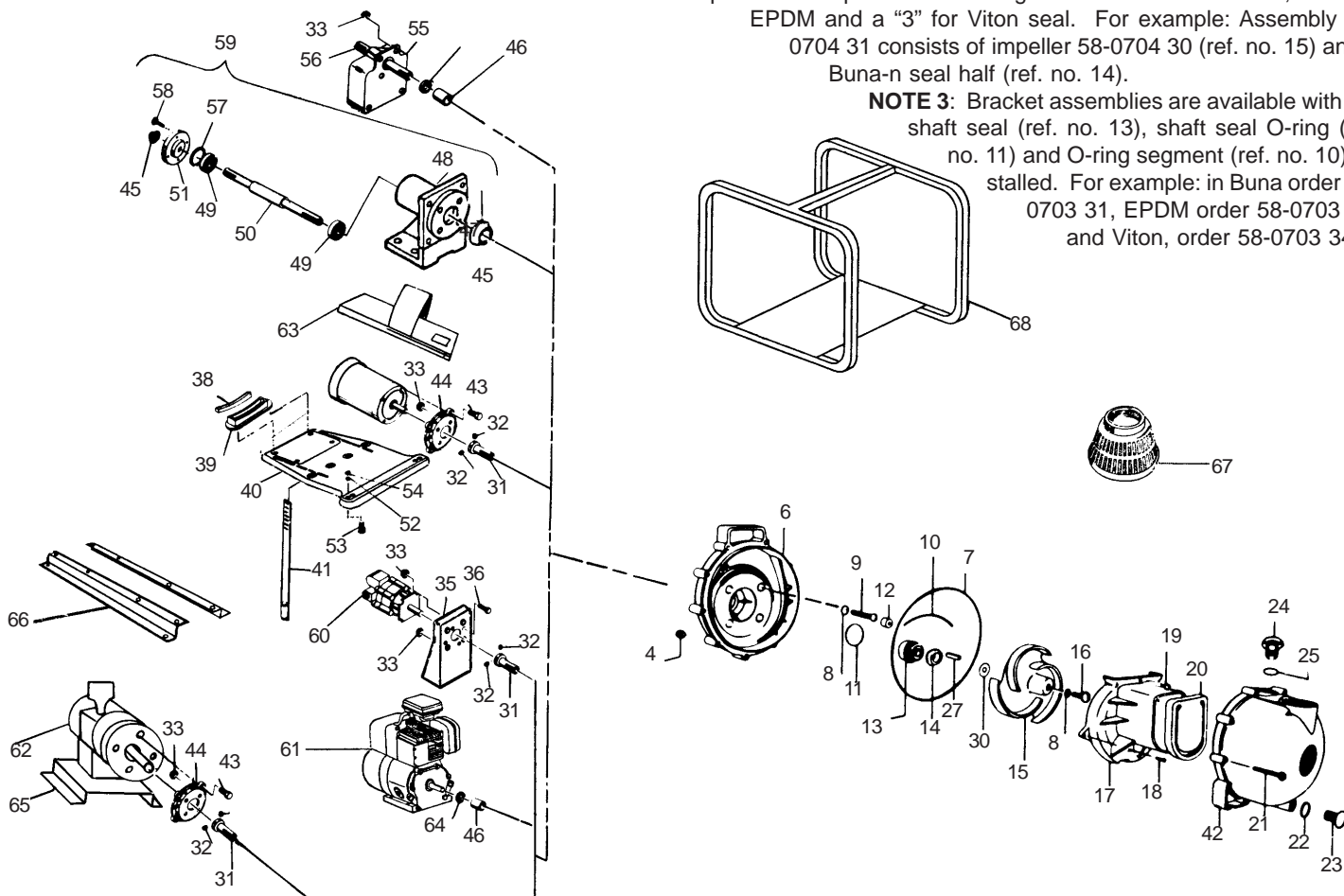
SELF-PRIMING CENTRIFUGAL PUMP - "S" SERIES

PARTS LIST
PP-9900
AUG. 2003

NOTE 1: You will note a multiple choice of impellers, volutes, and top volute screws. Once you have identified the impeller (from the pump model no., or by comparing your impeller to the descriptions given the various impellers) you can make your choice of impeller, volute, or volute screws by following the same letter grouping. For example: if your impeller is black, open type, 5 vane, .535" wide, then it is part no. 58-0706 30 and has an "A" designation, under the column marked "Group". You now choose the proper top volute screw (ref no. 19).

NOTE 2: Impellers (ref. no. 15) may be ordered with the seal (ref. no. 14) installed. The part no. for these assemblies is the same as the impeller part no. except that the last digit is a "1" for Buna-N seal, a "2" for EPDM and a "3" for Viton seal. For example: Assembly 58-0704 31 consists of impeller 58-0704 30 (ref. no. 15) and a Buna-n seal half (ref. no. 14).

NOTE 3: Bracket assemblies are available with the shaft seal (ref. no. 13), shaft seal O-ring (ref. no. 11) and O-ring segment (ref. no. 10) installed. For example: in Buna order 58-0703 31, EPDM order 58-0703 32, and Viton, order 58-0703 34.



PUMP PARTS LIST

ITEM #	PART #	PART DESCRIPTION	QTY./PUMP	ITEM #	PART #	PART DESCRIPTION	QTY./PUMP
4	58-0721	NUT, Body, plated steel, 1/4"-20 hex	10	11	58-0976 71	O-RING, Shaft Seal, BUNA-N	1
	58-0721 10	NUT, Body, stainless steel, 1/4"-20 hex	10		58-0976 72	O-RING, Shaft Seal, EPDM	1
6	58-0703 30B	BRACKET, Polyester, Black	1		58-0976 73	O-RING, Shaft Seal, VITON	1
	58-0703 40	BRACKET, Polypropylene, grey	1	12	58-0750 40	PLUG, Bracket Screw Protector, Polypropylene	4
	58-0703 60	BRACKET, Ryton, brown	1		58-0750 90	PLUG, Bracket Screw Protector, ECTFE	4
7	58-0719 71	O-RING, Body, BUNA-N	1	11,13,14	58-0714 11	SEAL, Shaft, BUNA-N, 316 S.S.,carbon/ceramic	1
	58-0719 72	O-RING, Body, EPDM	1		58-0714 12	SEAL, Shaft, EPDM, 316 S.S.,carbon/ceramic	1
	58-0719 73	O-RING, Body, VITON	1		58-0714 14	SEAL, Shaft, VITON, 316 S.S.,carbon/ceramic	1
8	58-0717 71	O-RING, Screw, BUNA-N	5		58-0714 15	SEAL, Shaft, Hastelloy C, Teflon, silicon carbide	1
	58-0717 72	O-RING, Screw, EPDM	5		58-0714 92SG	SEAL, Shaft, Non-Metallic, ECTFE, EPDM siliconized graphite	1
	58-0717 73	O-RING, Screw, VITON	5		58-0714 94SG	SEAL, Shaft, Non-Metallic, ECTFE, VITON siliconized graphite	1
9	58-0715 10	SCREW, Bracket, stainless steel for pumps close-coupled to engine and cast ped. mount, 5/16"-24 x 1.25"	4		58-0891 92SG	SEAL, Shaft, Kynar, Polypro, Hastelloy C, EPDM, silicon carbide	1
	58-0728 10	SCREW, Bracket, stainless steel for pumps pedestal mounted (plastic), close-coupled to electric, hydraulic or pneumatic motor, 5/16"-18 x 1.5"	4		58-0891 94SG	SEAL, Shaft, Kynar, Polypro, Hastelloy C, VITON, silicon carbide	1
10	58-0754 71	O-RING, Segment, BUNA-N	1		58-46250 11	SEAL, Shaft, BUNA-N, 316 SS, silicon carbide	1
	58-0754 72	O-RING, Segment, EPDM	1		58-46250 12	SEAL, Shaft, EPDM, 316 SS, silicon carbide	1
	58-0754 73	O-RING, Segment, VITON	1		58-46250 13	SEAL, Shaft, VITON, 316 SS, silicon carbide	1

"S" SERIES PUMP PARTS LIST

PP-9900F

ITEM #	PART #	GROUP	PART DESCRIPTION	QTY./PUMP	ITEM #	PART #	PART DESCRIPTION	QTY./PUMP
15	58-0704 30	A	IMPELLER, 3 Vane, .535" wide 5.5" dia., Polyester, black	1	32	58-0883	SET SCREW, 1/4"-20 x .25" long, steel	2
	58-0704 40	A	IMPELLER, 3 Vane, .535" wide 5.5" dia., Polypropylene, grey	1	33	58-0745	KEPNUT, 5/16"-18, plated steel	4
	58-0704 60	A	IMPELLER, 3 Vane, .535" wide 5.5" dia., Ryton, brown	1	35	58-1011 20	PEDESTAL, hydraulic motor, molded plastic	1
	58-0706 30	A	IMPELLER, 5 Vane, .535" wide 5.5" dia., Polyester, black	1	36	58-0729 H	SCREW, for mounting hydraulic motor to pedestal, 5/16"-18 x 1.0" long, plated steel	4
	58-0706 40	A	IMPELLER, 5 Vane, .535" wide 5.5" dia., Polypropylene, grey	1	38	58-1826 71	PAD, Rubber, Saddle	1
	58-0706 60	A	IMPELLER, 5 Vane, .535" wide 5.5" dia., Ryton, brown	1	39	58-1828 90	SADDLE, Electric motor, 6-5/8" dia. motor	1
	58-0974 30	B	IMPELLER, 4 Vane, .600" wide 4.75" dia., Polyester, black	1	40	58-1825 90	SADDLE, 5-11/16" diameter motor	1
	58-0974 40	B	IMPELLER, 4 Vane, .600" wide 4.75" dia., Polypropylene, grey	1	41	58-1823 40	BASEPLATE, for close-coupled electric motors, molded plastic	1
	58-0974 60	B	IMPELLER, 4 Vane, .600" wide 4.75" dia., Ryton, brown	1	42	58-0934 10	STRAP, for close-coupled electric motors, SS	1
	58-0975 30	C	IMPELLER, 4 Vane, .975" wide, 4.75" dia., Polyester, black	1	43	58-1001 30B	BODY, 1-1/2" NPT, Polyester, black	1
	58-0975 40	C	IMPELLER, 4 Vane, .975" wide, 4.75" dia., Polypropylene, grey	1	44	58-1001 40	BODY, 1-1/2" NPT, Polypropylene, grey	1
	58-0975 60	C	IMPELLER, 4 Vane, .975" wide, 4.75" dia., Ryton, brown	1	45	58-1001 60	BODY, 1-1/2" NPT, Ryton, brown	1
	58-0667 30	B	IMPELLER, 3 Vane, .535" wide, 4.75" dia., Polyester, black	1	46	58-1002 30B	BODY, 2" NPT, Polyester, black	1
	58-0667 40	B	IMPELLER, 3 Vane, .535" wide, 4.75" dia., Polypropylene, grey	1	47	58-1002 40	BODY, 2" NPT, Polypropylene, grey	1
	58-8706 30		IMPELLER, 5 Vane, .535" w. 5.5" d, black Polyester (8hp pumps only, 7/2003)	1	48	58-1002 60	BODY, 2" NPT, Ryton, brown	1
	58-8975 30		IMPELLER, 4 vane, .975" w x 4.75" d, black Polyester, (8hp pumps only, 7/2003)	1	49	58-0755 30B	BODY, 3" NPT, Polyester, black	1
16	58-0716 10		SCREW, Impeller, S.S., 5/16"-24x.75"	1	50	58-0755 40	BODY, 3" NPT, Polypropylene, grey	1
	58-1668 10		SCREW, Impeller, S.S., 3/8-24x1" (8hp only)	1	51	58-0755 60	BODY, 3" NPT, Ryton, brown	1
17	58-0702 30	A	VOLUTE, Flat, Polyester	1	52	58-0943 30B	BODY, 1-1/2" BSP, Polyester, black	1
	58-0702 60	A	VOLUTE, Flat, Ryton, brown	1	53	58-0784 30B	BODY, 2" BSP, Polyester, black	1
	58-0773 31	A	VOLUTE, Buna-N lined Polyester	1	54	58-0877 30B	BODY, 3" BSP, Polyester, black	1
	58-0773 32	A	VOLUTE, EPDM lined Polyester	1	43	58-1015 10	SCREW, hex head cap, 3/8"-16x1.25" long, S.S	4
	58-0954 30	B	VOLUTE, Flat, Polyester	1	44	58-1010 20	ADAPTER, Motor, for pump close-coupled to electric or pneumatic motor, molded plastic	1
	58-0954 60	B	VOLUTE, Flat, Ryton, brown	1	45	58-1955 71	SEAL, lip, .710" ID, Buna-N	2
	58-0955 31	B	VOLUTE, Buna-N lined Polyester	1	46	58-1955 73	SEL, lip, .710" ID, VITON	2
	58-0955 32	B	VOLUTE, EPDM lined Polyester	1	47	58-0882 90	SHAFT, Sleeve, Polyethylene	1
	58-0977 30	C	VOLUTE, Flat, Polyester	1	48	58-0884 71	SLINGER, Buna-N	1
	58-0977 60	C	VOLUTE, Flat, Ryton, brown	1	49	58-1951 90	HOUSING, Bearing, cast metal	1
	58-0978 31	C	VOLUTE, Buna-N lined Polyester	1	50	58-1954 90	BEARING, Ball, .787" ID	2
	58-0978 32	C	VOLUTE, EPDM lined Polyester	1	51	58-1952 10	SHAFT, stainless steel, .75" diameter	1
18	58-0725 10		SCREW, side volute, S.S., #6-cc x.5" long	2	52	58-1952 91	SHAFT, Hastelloy, .75" diameter	1
19	58-0771 10	A	SCREW, top volute, S.S., #10-24x1.5"	1	53	58-1952 93	SHAFT, Titanium, .75" diameter	1
	58-0997 10	B,C	SCREW, top volute, S.S., #10-24 x .5"	1	54	58-1953 10	PLATE, End, stainless steel	1
20	58-0705 71		CHECK VALVE, Buna-N	1	55	58-0730	FLAT WASHER, .563", plated steel	2
	58-0705 72		CHECK VALVE, EPDM	1	56	58-0729	SCREW, 5/16"-18 x 1", plated steel	2
	58-0705 73		CHECK VALVE, VITON	1	57	58-0745	KEPNUT, 5/16"-18, plated steel	2
21	58-0720		SCREW, Body, plated steel 1/4"-20 x 2-3/8"	10	58	58-0759 20	BEARING Pedestal, molded plastic	1
	58-0720 10		SCREW, Body, SS, 1/4"-20 x 2-3/8" long	10	59	58-0777	BEARING, Shaft Assy., standard, carbon steel	1
22	58-1009 71		O-RING, Drain Plug, Buna-N	1	60	58-0777 10	BEARING, Shaft Assy., with S.S. shaft sleeve	1
	58-1009 72		O-RING, Drain Plug, EPDM	1	55,56	58-2053 01	ASSEMBLY, Pedestal, 3/4" carbon steel shaft	1
	58-1009 73		O-RING, Drain Plug, VITON	1	57	58-2053 02	ASSEMBLY, Pedestal, with S.S. shaft sleeve	1
23	58-0723 30		PLUG, Drain, Polyester, black	1	58	58-1956 10	SHIM, Bearing Shaft, cast metal pedestal, .006" thick as required	4
	58-0723 40		PLUG, Drain, Polypropylene, grey	1	60	58-2525 10	SCREW, hex, 1/4"-20 x 3/4" stainless steel	4
	58-0723 60		PLUG, Drain, Ryton, brown	1	61	58-1950 01	BEARING & PEDESTAL ASSY., with 3/4" S.S. shaft (includes items 45, 48, 49, 50, 51, 57 & 58)	1
24	58-0722 30B		PLUG, Filler, Polyester, black	1		58-1950 01H	BEARING & PEDESTAL ASSY., with 3/4" Hastelloy shaft (includes items 45, 48, 49, 50, 51, 57 & 58)	1
	58-0722 40		PLUG, Filler, Polypropylene, grey	1		58-1950 01T	BEARING & PEDESTAL ASSY., with 3/4" Titanium shaft (includes items 45, 48, 49, 50, 51, 57 & 58)	1
	58-0722 60		PLUG, Filler, Ryton, brown	1	62	58-0686	MOTOR, Hydraulic	1
25	58-0765 71		O-RING, Filler plug, Buna-N	1	63	58-0634	ENGINE, B&S, 3.5HP, recoil start	1
	58-0765 72		O-RING, Filler plug, EPDM	1		58-0633 AP	ENGINE, B&S, 3.5HP, Industrial Plus, recoil start	1
	58-0765 73		O-RING, Filler plug, VITON	1	64	58-0644	ENGINE, B&S 5.5HP INTEK OHV, recoil start	1
27	58-0718		KEY, steel	1		58-0644 A	ENGINE, B&S, 5.5HP INTEK OHV Pro, recoil start	1
	58-0718 10		KEY, stainless steel	1		58-0635 H	ENGINE, Honda, 5.5HP, OHV, recoil start	1
	58-0718 30		KEY, Polyester	1		58-0967	ENGINE, B & S, 8HP INTEK Pro, recoil start	1
30	58-0778 11		SHIM, .006", stainless steel as required	66	62	58-0926	MOTOR, pneumatic	1
	58-0778 12		SHIM, .015", stainless steel as required	67	63	58-0028	BASEPLATE KIT, standard duty, call factory for details	1
	58-0778 13		SHIM, .030", stainless steel as required			58-0016	BASEPLATE KIT, heavy duty, call factory for details	1
	58-46338 10		SHIM, .015", S.S. (8hp only) as required		64	58-0881 72	GASKET, Engine Protection, EPDM, 5HP only	1
31	58-1014 10		ADAPTER, shaft, for close-coupled electric or pneumatic motor, stainless steel, .625" bore	1		58-0933 72	GASKET, Engine Protection, EPDM, 3.5HP only	1
	58-1165 10		ADAPTER, S.S., for hydraulic motor, .563" bore	1		58-0935 72	GASKET, Engine Protection, EPDM, INTEK only	1
				1	65	58-0929	BASE PLATE, for pumps coupled to pneumatic motor	1
					66	58-0002	BASE RUNNER KIT, two steel rails with fasteners	1
					67	58-0734	SUCTION STRAINER, 1-1/2"NPT, molded plastic	1
						58-0733	SUCTION STRAINER, 2" NPT, molded plastic	1
						58-0757	SUCTION STRAINER, 3" NPT, molded plastic	1
						58-1339 01	SUCTION STRAINER, 3" BSP, molded plastic	1
					68	58-0009	ROLL CAGE, w/rubber feet, mounting hardware	1

NOTE: All specifications, as shown, are subject to change without previous notice.

F.O.B. Lancaster, PA

Minimum Order: \$25.00

Terms: Net 30 Days

Distributed By:

**servicing
industry
worldwide**

PACER® PUMPS
Div. ASM Industries, Inc.

41 Industrial Circle
Lancaster, PA 17601-5927
Email: sales@pacerpumps.com

717-656-2161
800-233-3861
FAX: 717-656-0477

(Printed in U.S.A.)