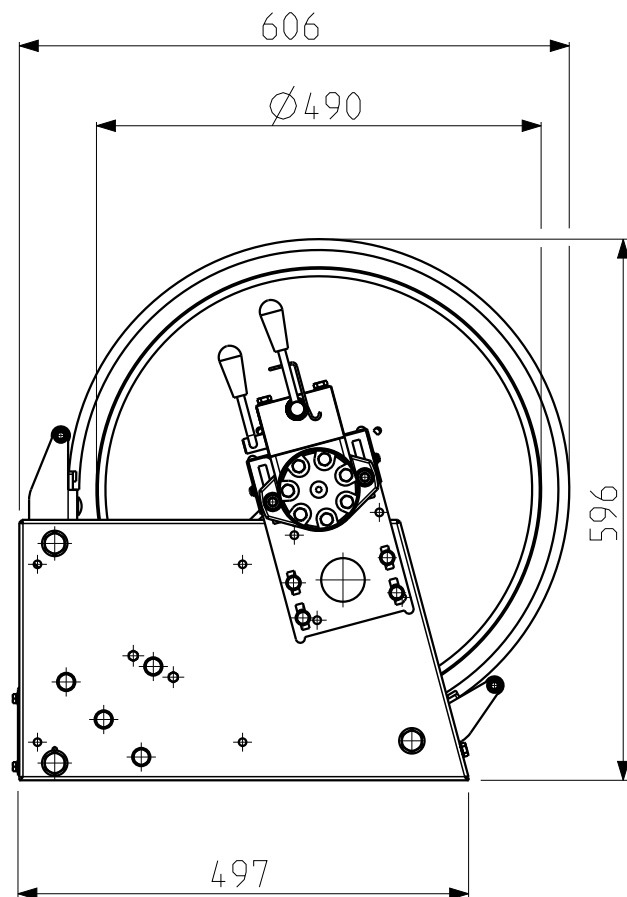
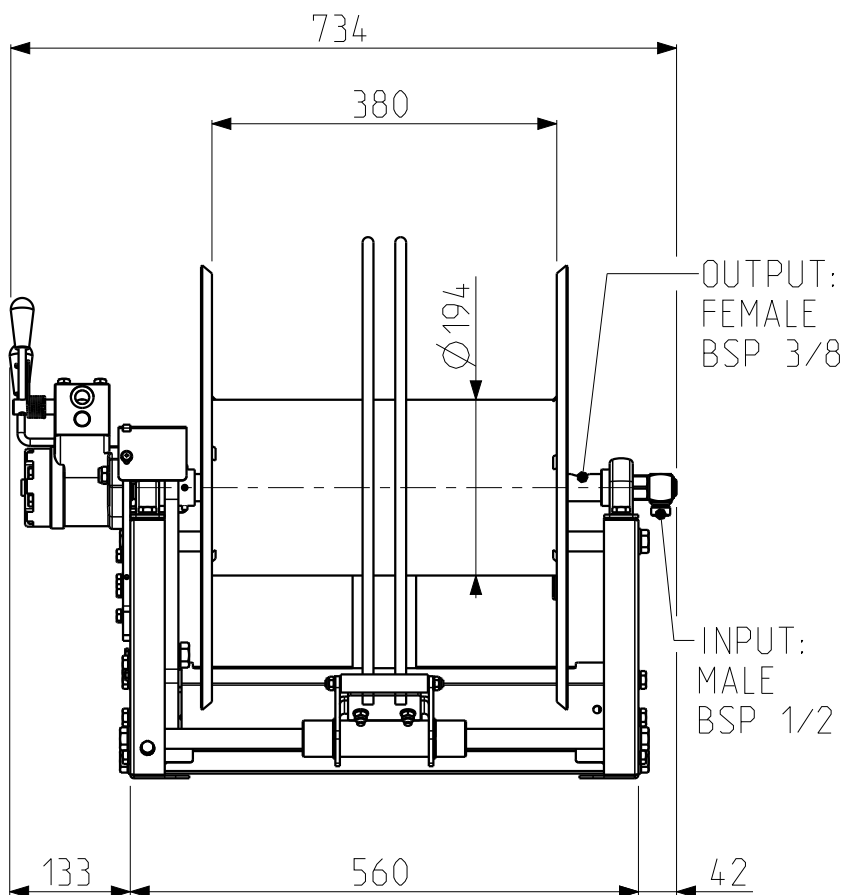
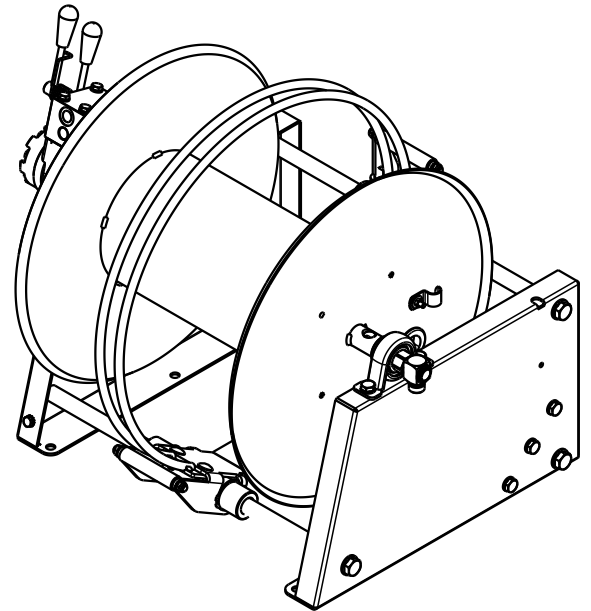
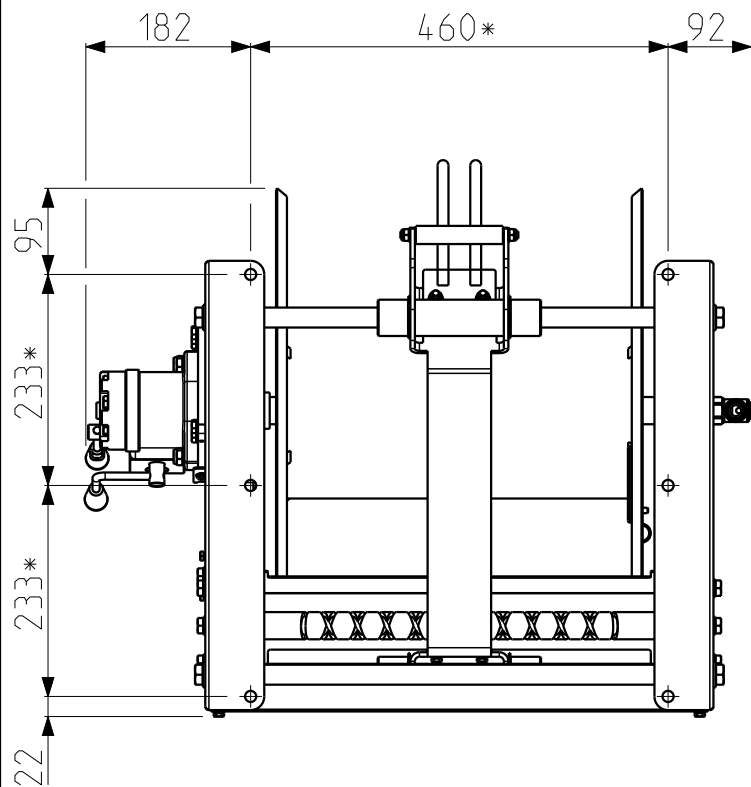


ITEM NUMBER	REVISION	DENOMINATION	WEIGHT Approx.
330_150_G	D	MAGNUM DN10-3/8 "GTO"	±57 Kg



\* INTERAXIS FOR FIXING THE N.6 SCREWS M12 (NOT INCLUDED)