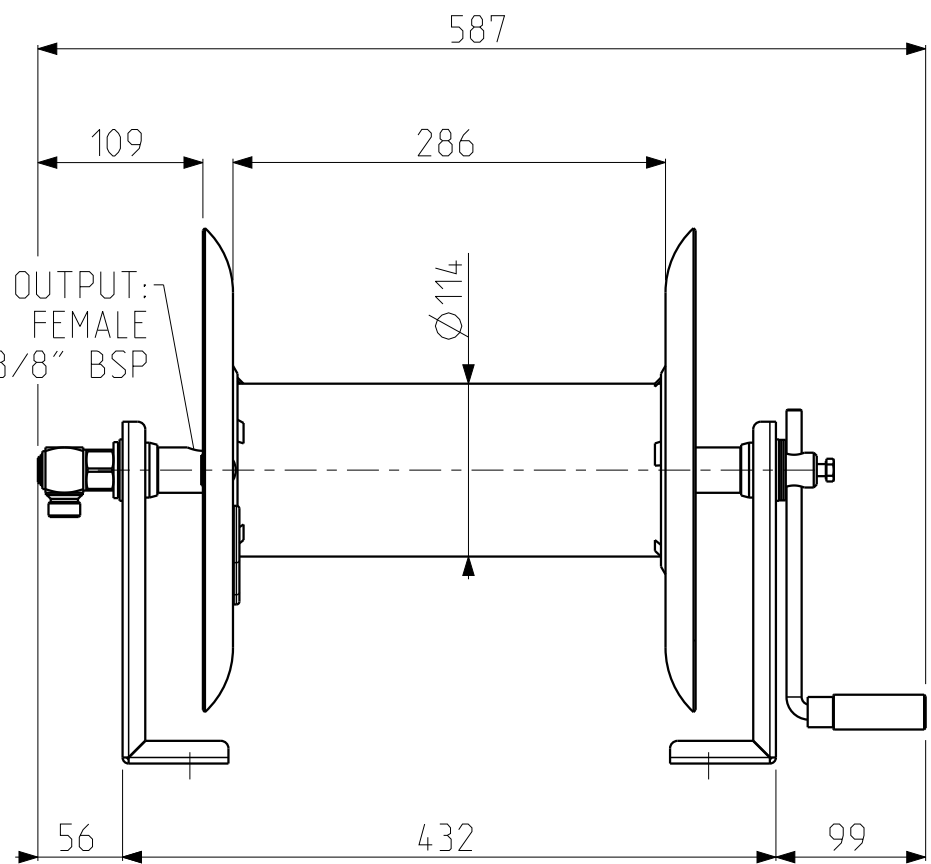
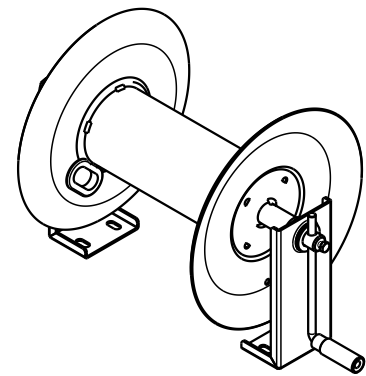
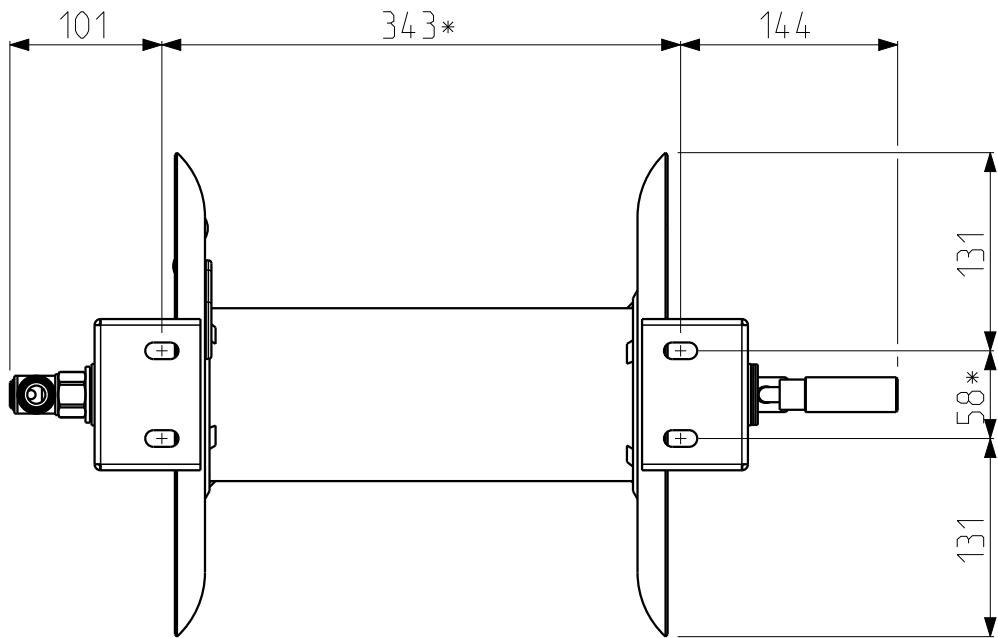
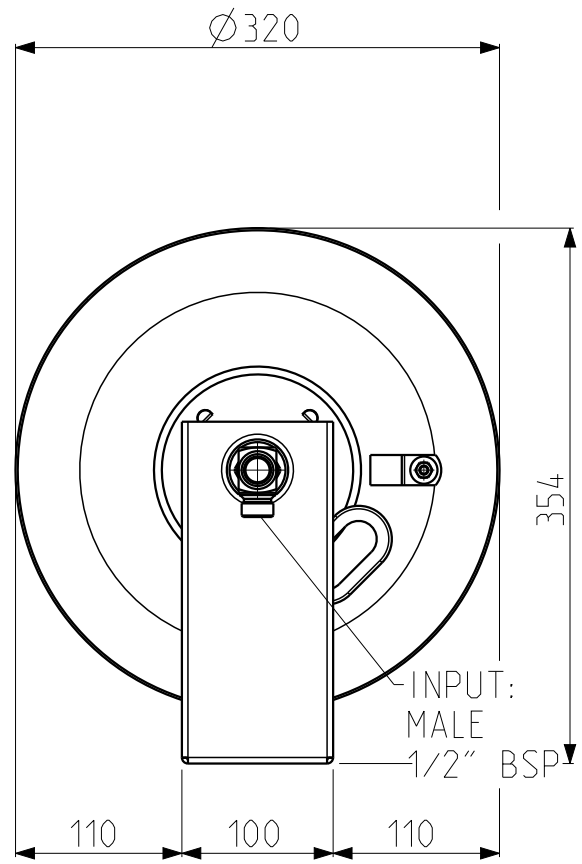


ITEM NUMBER	REVISION	DENOMINATION	WEIGHT Approx.
430_040_M	A	MAGNUM BABY 2000 DN10-3/8	10 Kg



OUTPUT:
FEMALE
3/8" BSP



INPUT:
MALE
1/2" BSP

* INTERAXIS FOR FIXING THE N.4 SCREWS M10 (NOT INCLUDED)