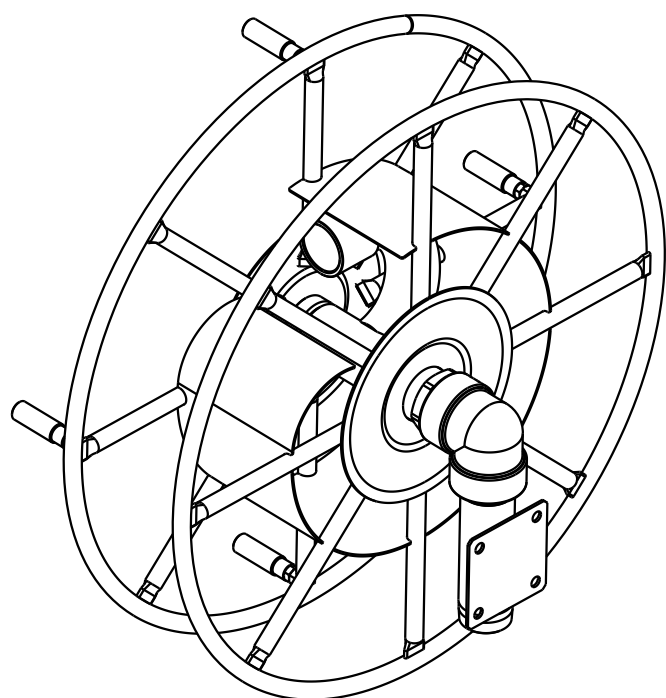
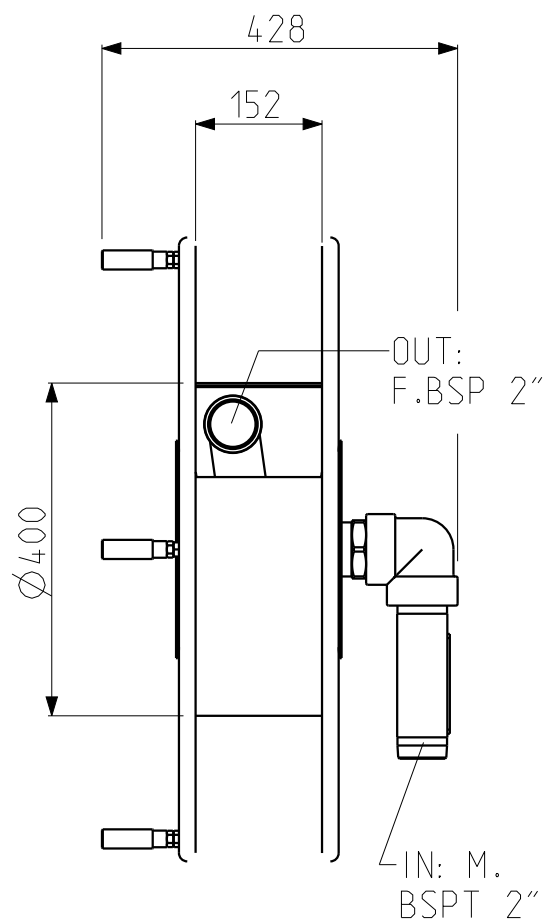
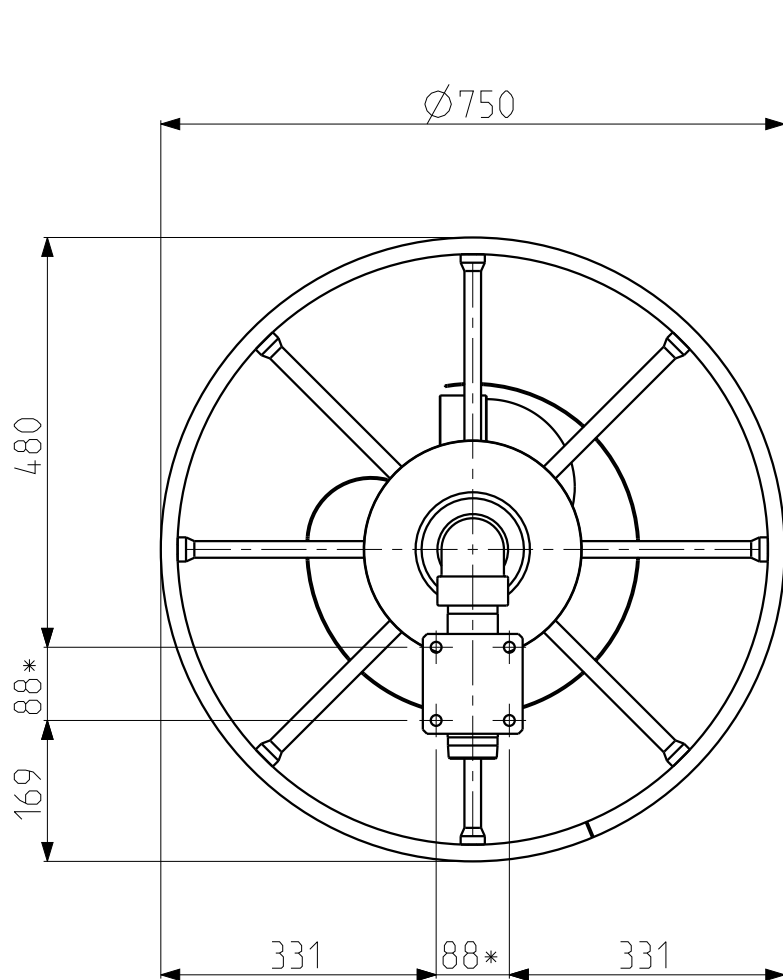


ITEM NUMBER	REVISION	DENOMINATION	WEIGHT Approx.
700_050_M	A	CASPER DN50-2" "M"	±21Kg



* INTERAXIS FOR FIXING THE N.4 SCREWS M12 (NOT INCLUDED)