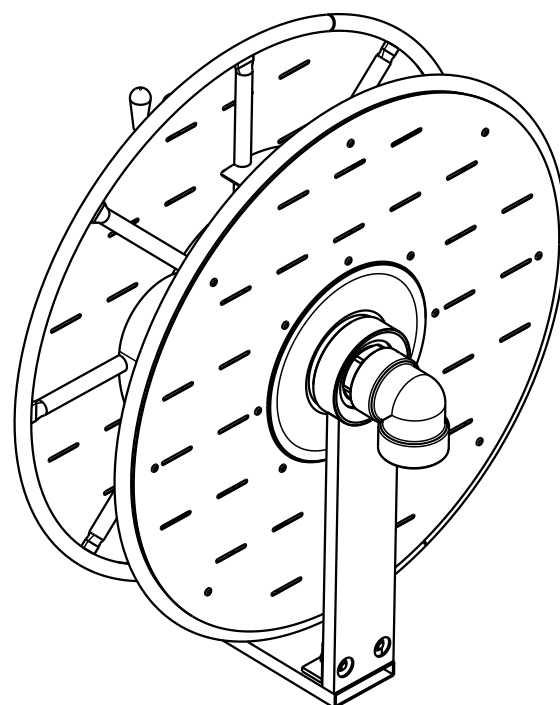
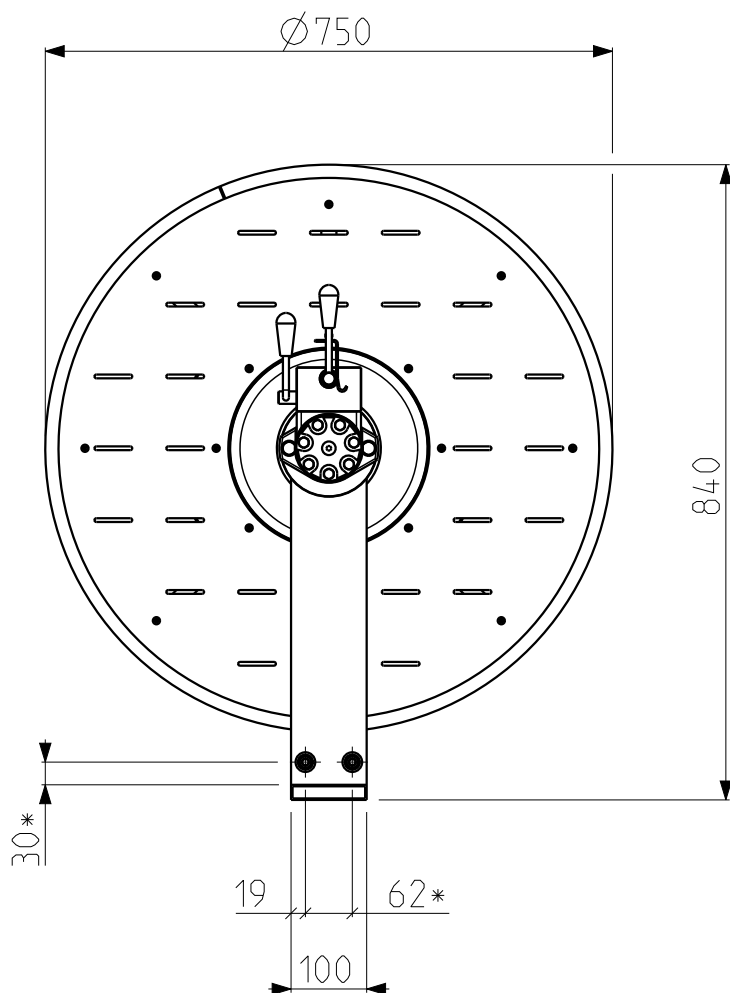
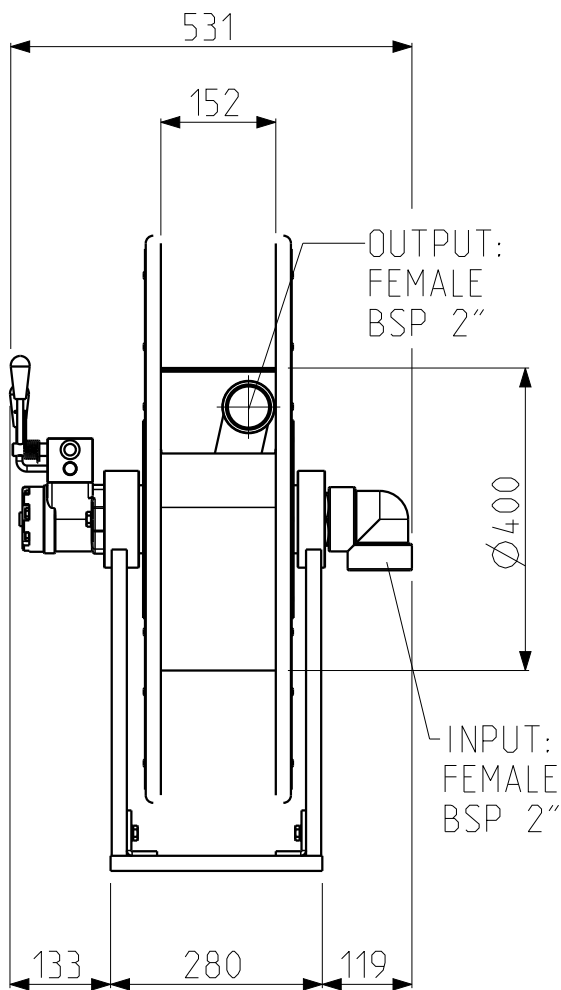


ITEM NUMBER	REVISION	DENOMINATION	WEIGHT Approx.
700_050_0	B	CASPER DN50-2" 50 "0"	44 Kg



* INTERAXIS FOR FIXING THE N.4 SCREWS M10 (NOT INCLUDED)